



# Wireless Winch Remote Control

Part No: WA019



Fits: TrailFX Winches - W08B, W10B, W12B, WS12B, W35B, WS35B, W45B and WS45B



READ INSTRUCTIONS CAREFULLY BEFORE STARTING INSTALLATION.



support@trailfx.com



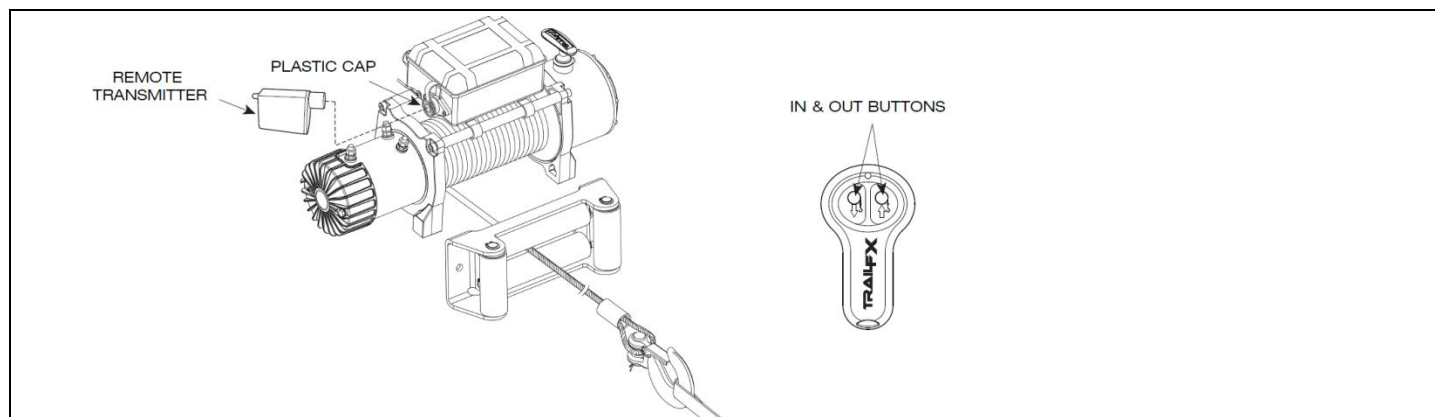
1 866 638 4870

## INSTRUCTIONS:

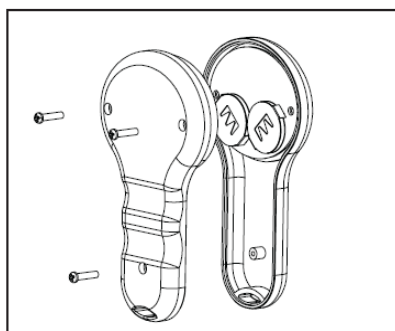
1. Remove plastic cap.
2. Plug the remote transmitter into the control box.
3. Remote Operation.

To power ON remote, press both buttons together until LED light turns ON.

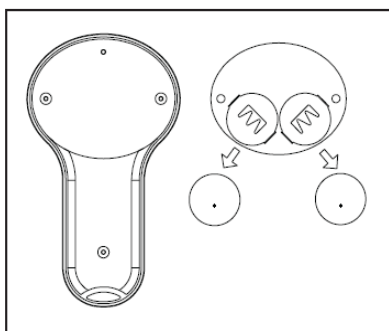
To power OFF remote, press both buttons together until LED light turns OFF.



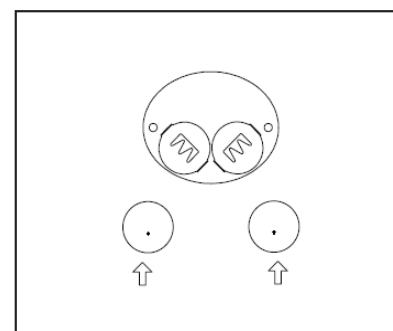
## How to Replace the Batteries:



**a.** Open the back cover.



**b.** Remove the existing batteries.



**c.** Insert the new batteries. Replacement batteries should be 3.0 volt button cell lithium batteries equivalent to CR2032.

Check out these other TrailFX Products!!

www.TrailFX.com



Keystone Automotive Operations Inc. (KAO) warrants this product to be free of defects in material and workmanship at the time of purchase by the original retail consumer. KAO disclaims any other warranties, express or implied, including the warranty of fitness for a particular purpose or an intended use. If the product is found to be defective, KAO may replace or repair the product at our option, when the product is returned prepaid, with proof of purchase. Alteration to, improper installation, or misuse of this product voids the warranty. KAO's liability is limited to repair or replacement of products found to be defective, and specifically excludes liability for any incidental or consequential loss or damage.