



Installation Guide



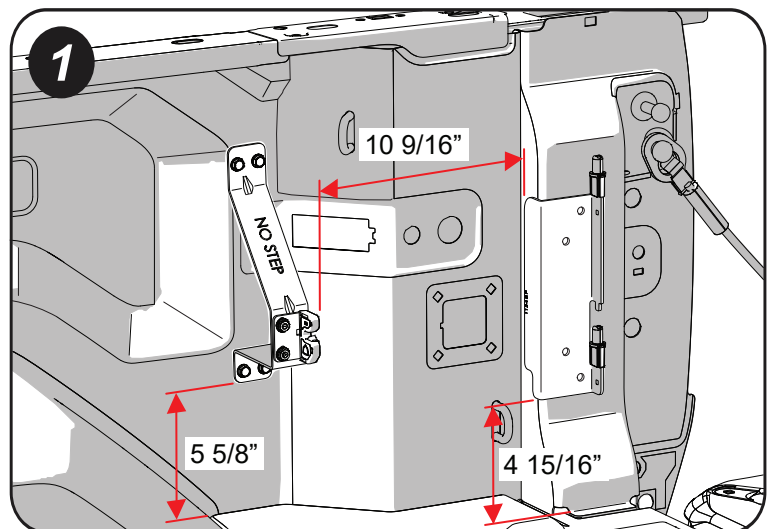
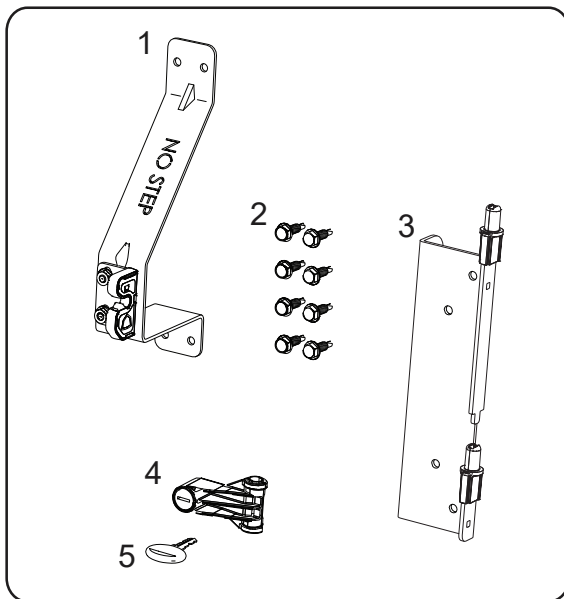
SC106P - Passenger Side GMC/Hummer 2022

(will not fit with Factory GM storage boxes)

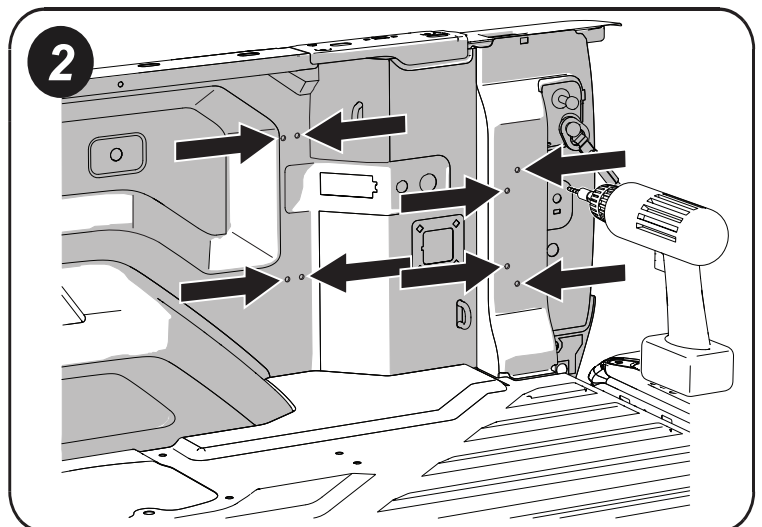
Hardware Included:

1. Striker Bracket (qty 1)
2. Sheet Metal Screws (qty 8)
3. Truck Bracket (qty 1)
4. Pivot Lock (qty 1)
5. Key Set (qty 2)

1. INSTALL THE TRUCK BRACKET AND STRIKER BRACKET (*figure 1*) - Use the supplied Truck Bracket and Striker Bracket as templates to drill two sets of four holes. Align the brackets according to the measurements shown below. Make a mark in each of the eight holes.

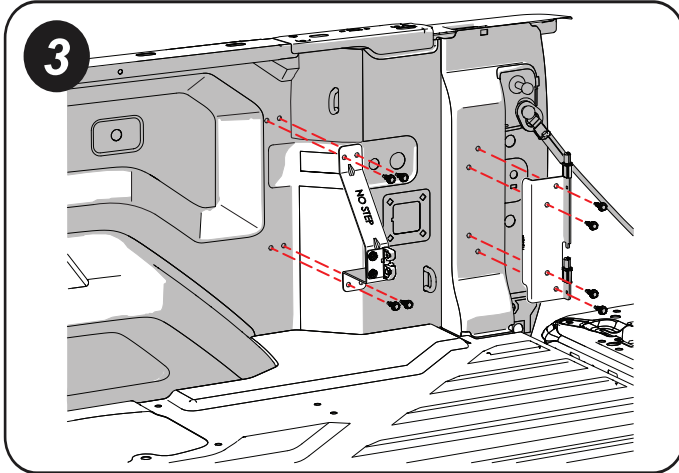


2. INSTALL THE TRUCK BRACKET AND STRIKER BRACKET (*figure 2*) - Using a drill, drill eight 1/8" holes in the truck bed sheet metal.

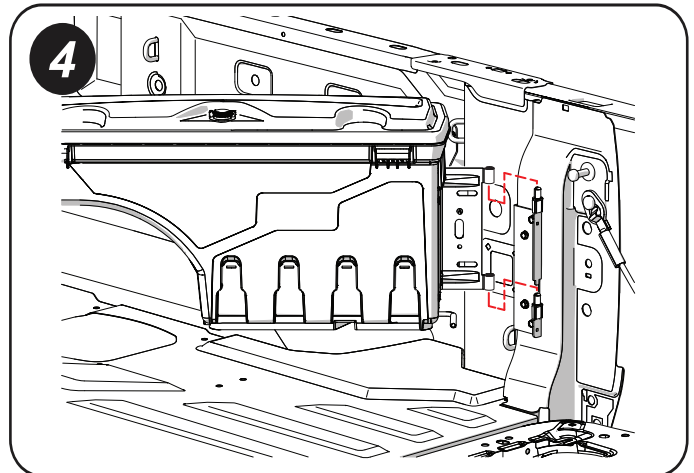




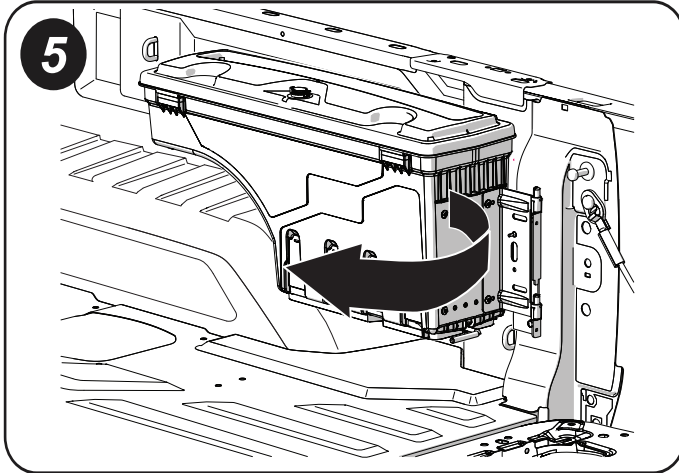
Installation Guide - Continued



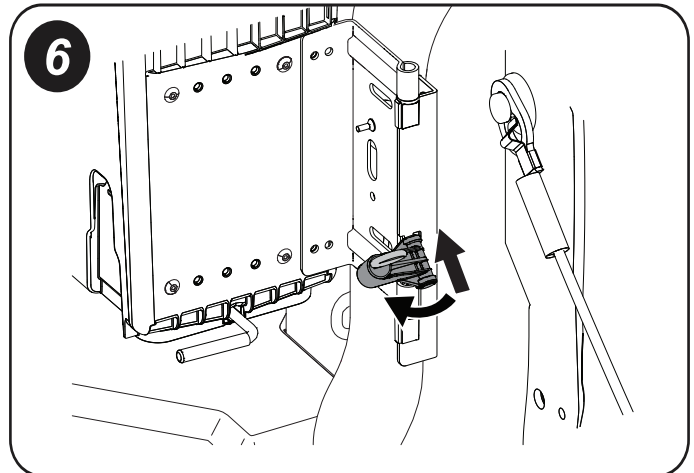
3. INSTALL THE TRUCK BRACKET AND STRIKER BRACKET (figure 3) - Install the truck bracket and striker bracket using the provided screws. Use a 10mm wrench or socket and tighten to 10 +/- 1.0 Nm.



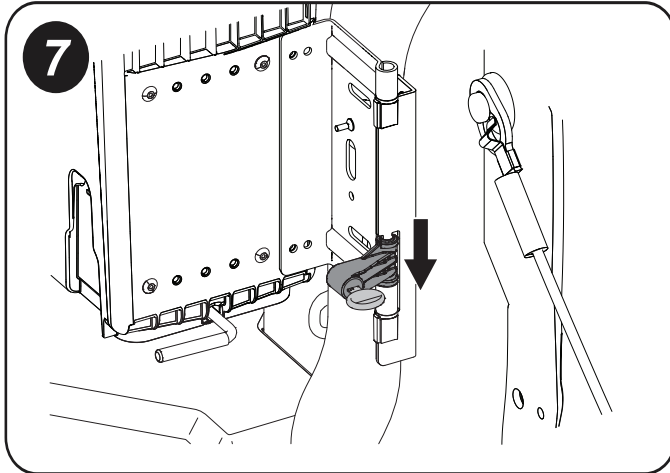
4. INSTALL THE SWINGCASE (figure 4) - Lift the case, align the openings of the case bracket to the pins of the truck bracket and lower the Swingcase onto the pins.



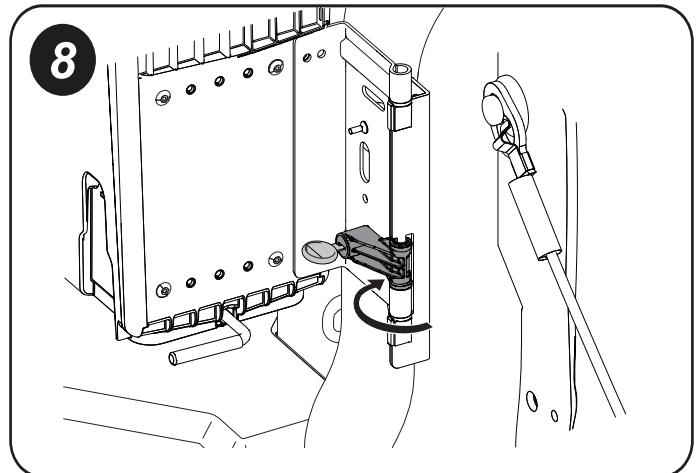
5. CLOSE AND LATCH THE SWINGCASE (figure 5) - Swing the Swingcase to the truck bed wall to latch it in place.



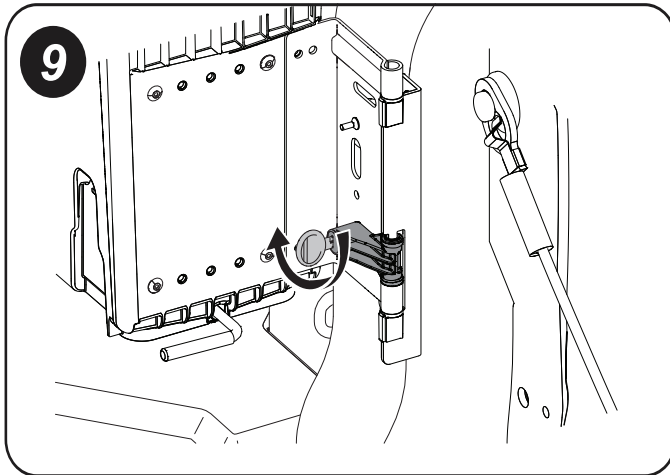
6. INSTALL THE PIVOT LOCK (figure 6) - Insert the supplied pivot lock at an angle between the lower tab and the top of the lower pivot bushing. While pushing upward on the pivot lock, rotate the pivot lock into position over the top of the lower pivot bushing.



7. INSTALL THE PIVOT LOCK (*figure 7*) - Once the pivot lock is over the top of the lower pivot bushing, slide the pivot lock down against the top of the pivot bushing.



8. INSTALL THE PIVOT LOCK (*figure 8*) - Rotate the pivot lock towards the box bracket, so that the pivot lock is against the bracket and lines up with the slotted hole in the bracket.



9. INSTALL THE PIVOT LOCK (*figure 9*) - Rotate the key 90 degrees into the locked position.

Note: Once the pivot lock is in the locked position, this will allow the user to still pull the release handle and swing the case out over the tailgate. The pivot lock will prevent the case from being fully removed.



User Guide - Warranty

Thank you for purchasing the SwingCase!

- Read instructions completely before installing your SwingCase to your truck.
- The SwingCase is designed for trucks that do not have a bedliner (spray in bedliners pose no problem). Trucks that do have plastic drop in bedliners or Bed Rugs will require some trimming of the liner to ensure proper fit of the brackets. We provide some guidelines for installing with liners, however due to the wide variety of liner manufacturers, the modifications will vary. Any modifications must be made to the liner and NOT to the SwingCase mounting hardware. Modifications to the mounting hardware could result in improper installation and will void your warranty.
- The SwingCase is left and right specific. They will not interchange.
- The SwingCase will not work with bed extenders.
- The SwingCase will work with most tonneau covers. If you have any questions regarding your installation, please contact our customer service team at the number below.

Warning: Chemicals that are NOT labelled safe for use with plastics should NOT be stored in the SwingCase. Some chemicals such as insect repellents, brake fluid and solvents can potentially damage the plastic. Doing so may void the warranty.



SwingCase - 1 Year Limited Warranty

Terms of this Warranty. The manufacturer warrants that the ABS polymer structure of your Swing Case will be structurally free from defects in material and workmanship for (1) one year from the retail date of purchase. The lock, hinges, and hardware are warranted to be free from defects in material and workmanship for (1) one year from the retail date of purchase. This warranty applies only to the original purchaser and is nontransferable. Your original sales receipt will serve as proof of purchase for this warranty. Be sure to retain your receipt for your proof of purchase date. Before credit can be issued on a warranty claim, proof of defect may be required. This can be determined at the time of the claim.

Exclusions of this Warranty. Not covered under this warranty is failure due to neglect, improper installation including any modifications to installation hardware, alterations, addition of equipment, abuse, accident, weather related damage exposure to chemicals that are not labeled "safe for plastics", and normal wear from lack of maintenance..

Caution. Always read the ingredients of any product you are using to clean your Swing Case. Make sure that you use only products that are safe for use with plastics. Many chemicals contain material that will permanently discolor your Swing Case. This is not considered a manufacturer defect.

Owner Responsibilities. Incidental or consequential damage or loss of contents due to use, neglect, lack of maintenance, misuse, or abuse of the Swing Case is the sole responsibility of the truck owner and operator. Paint damage to your truck is not covered under this warranty. When operating your truck always keep the Swing Case in the stowed position with the lid closed and latched.

Repair and Replacement. In the event that your Swing Case is found to be defective under the terms of this warranty, it is at the manufacturer's discretion to repair or replace the defective part. All repairs must be made by an authorized Swing Case dealer or under the direction by the factory. In the case of either event, we are not responsible for any transportation costs associated with the warranted claim.

Maintenance & Care. The ABS polymer body of your Swing Case requires only periodic cleaning with mild car wash soap. **ONLY USE CLEANERS, WAXES OR PRODUCTS THAT ARE LABELLED "Safe for use on plastics".** Do not let chemicals or substances come into contact with your Swing Case, unless labeled "safe for plastics". Avoid use of all abrasive type cleaners as they may dull the finish. Be sure that products such as OFF® or other insecticides do not get onto the Swing Case from contact with your hands or other parts of your body. This could cause serious damage and discoloration.