



# INSTALLATION INSTRUCTIONS



Installation Instructions & User's Manual



# VISION X



## About The VX SERIES 7" HEADLIGHT



### **FEATURES**

1. LED Halo
2. DOT approved
3. Multiple wiring connections available

### **VX SERIES 7" HEADLIGHT SPECIFICATIONS**

1. Warranty : Extended
2. Amp Draw : High 3.0A/ Low 2.2A/ Halo 0.33A @12V
3. Input Voltage : 9-32V
4. Beam Patterns : High, Low, Halo
5. LED Lifespan : 50,000 Hours

### **PREPARATION**

1. We recommend completely reading instructions before installing.
2. Consult your local state regulatory agency regarding the use of LED lighting.
3. The placement of LED lighting should not restrict airflow to the radiator, or block head lamps, turn signals, or parking lights.

### **MAINTENANCE**

1. All Vision X models have been designed for maintenance free use. In the case an LED lamp or other part replacement is needed please contact your authorized service center.

# VX SERIES LED HEADLIGHT



## XIL-7RDKIT



## XIL-7RDKITJK



### WARNINGS

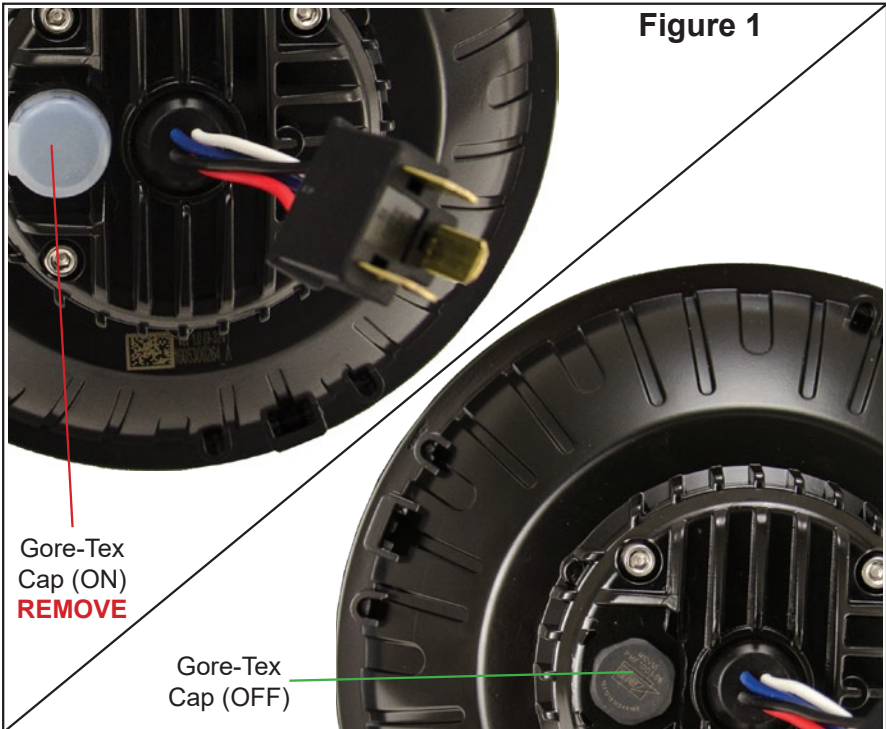
As with many other high-tech products, this VISION X LED requires a bit of attention before you can use it. Please read the accompanying information carefully first.

1. Don't stare directly into the light or shine directly into the eyes of another person as this may cause temporary loss of vision.
2. Never disassemble the products, as all parts must be factory serviced to insure proper operation.
3. Don't interchange the parts inside this light with other products.
4. The LED light is to be mounted on the vehicle only in a vertical, bottom mounting, or in a suspended position.
5. After turning on the light, the body might be hot enough to warrant a burn risk. Be careful when you touch the body after turning on the light for a long period of time.
6. Use the supplied wire harness for electrical installation.
7. The LED light must not adversely affect the performance of low beam, high beam, engine cooling or the driver's view.



## GORE-TEX VALVE

Having a correct venting solution in place can impact the lamps longevity and durability. The Gore-Tex valve equalizes pressure bi-directionally and manages moisture all while providing spray, immersion, and splash protection in the event the valve is exposed to the elements.



# VX SERIES LED HEADLIGHT

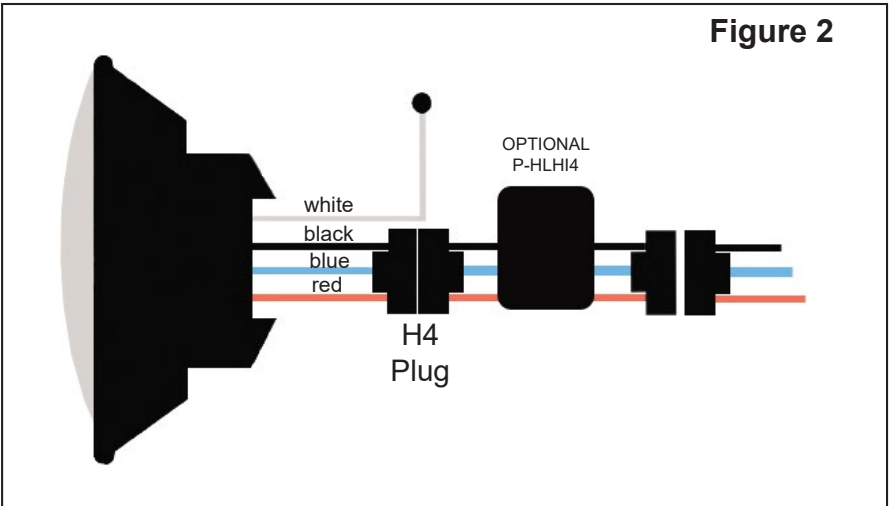


*SEE VEHICLE OWNERS MANUAL FOR HELP REPLACING HEADLIGHT  
ADDITIONAL WIRING HARNESS ADAPTER MAY BE NEEDED CONSULT  
YOUR DEALER TO DETERMINE IF ONE IS NEEDED*

## **WIRING INSTRUCTIONS XIL-7RDKIT**

1. Disconnect vehicle battery prior to installation.
2. Review your vehicle manual for detailed instructions for removing existing factory head light housing.
3. Remove Gore-Tex Valve Cover, prior to installation see [Figure 1]
4. Attach VX Series LED Headlight to Optional HI-4 Module (P-HLH14), then to the existing factory plug and re-install according to your vehicles manual. See [Figure 2]
5. To wire the LED Halo Daytime Running light, locate the white wire on the back of the light. Power the white wire by attaching it to the accessory power of the vehicle. If there isn't accessory power available affix it to the blue wire of the light or its own aux switch.

## **WIRING DIAGRAM**



## **WIRING KEY**

- Red = High Beam [ + ]
- Blue = Low Beam [ + ]
- Black = Ground [ - ]
- White = Halo [ + ]

# VISION X

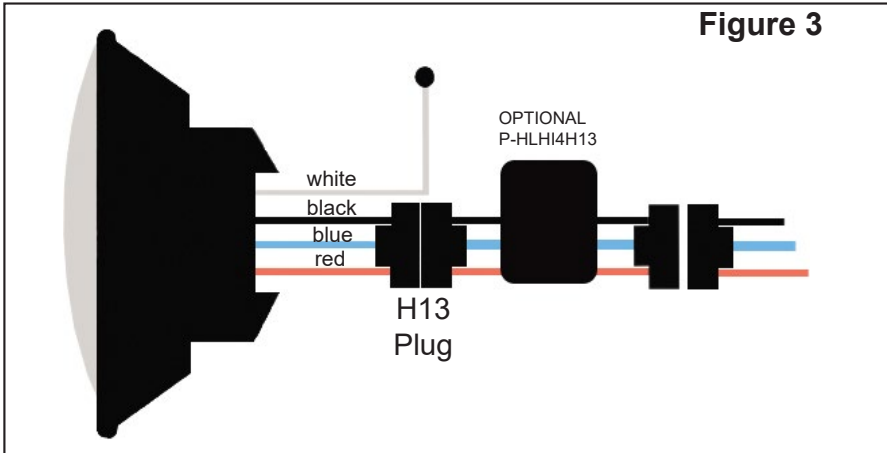


*SEE VEHICLE OWNERS MANUAL FOR HELP REPLACING HEADLIGHT  
ADDITIONAL WIRING HARNESS ADAPTER MAY BE NEEDED CONSULT  
YOUR DEALER TO DETERMINE IF ONE IS NEEDED*

## **WIRING INSTRUCTIONS XIL-7RDKITJK**

1. Disconnect vehicle battery prior to installation
2. Review your vehicle manual for detailed instructions for removing existing factory head light housing.
3. Remove Gore-Tex Valve Cover, prior to installation see [Figure 1]
4. Attach VX Series LED Headlight to Optional JEEP JK HI-4 Module (P-HLHI4H13), then to the existing factory plug and re-install according to your vehicles manual. See [Figure 3]
5. To wire the LED Halo Daytime Running light, locate the white wire on the back of the light. Power the white wire by attaching it to the accessory power of the vehicle. If there isn't accessory power available affix it to the blue wire of the light or its own Aux switch.

## **WIRING DIAGRAM**



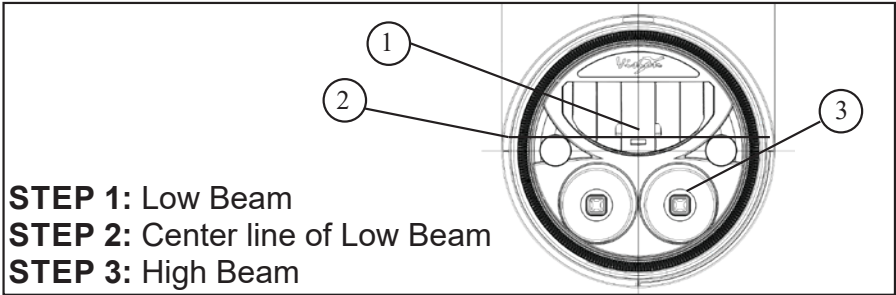
## **WIRING KEY**

- Red = High Beam [ + ]  
Blue = Low Beam [ + ]  
Black = Ground [ - ]  
White = Halo [ + ]

# VX SERIES LED HEADLIGHT



## HEAD LIGHT ALIGNMENT



## TESTING THE LIGHT

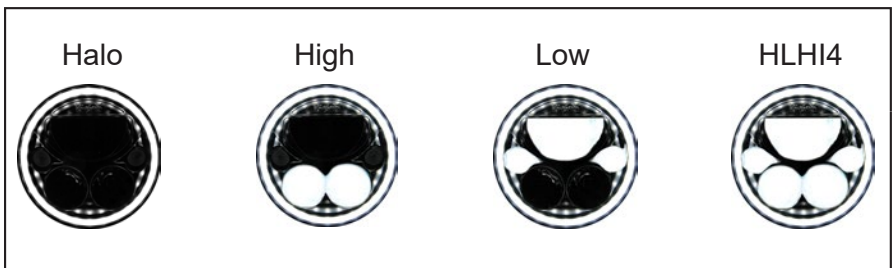
1. After all connections have been made start your vehicle and test your switch to make sure it turns on the light prior to reassembly.
2. Make sure the angle of your light is correct, otherwise adjust the light angle again.
3. Make sure no wire or other components of the harness are exposed to water spray, excessive heat, or moving parts.

## ADAPTERS/ACCESSORIES

**P-HLHI4-** High Low High 4 adapter engages all three beam modes simultaneously to dramatically increase visibility and output.

**P-HLHI4H13-** High Low High 4 adapter engages all three beam modes simultaneously to dramatically increase visibility and output. (For use with XIL-7RDKITJK With H13 Plug)

**P-HLCBAH13-** Single Canbus Integration adapter levels electrical current to remove electrical interference from the vehicle and eliminate flickering in light.(For use with non XIL-7RDKITJK part #'s)



**TIP:** For complete application guide see web site



## You May Also Be Interested In:



### **Jeep A-Pillar**

Part # - 9888392

Item # -XIL-OEA0713JKCPZ1



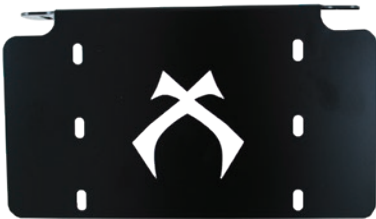
### **SECURITY NUT**

Available in multiple sizes



### **SECURITY BOLT**

Available in multiple sizes



Part # - 4000308

Item # - XIL-LICENSEP

License Plate Bracket for Lights  
up to 20"



Part # - 9892320

Item # - XIL-WINCH10

Light Bar Winch Fairlead  
10" Bracket  
(Available in 6")