

# INSTALLATION INSTRUCTIONS

## Sportsman X Grille Guard



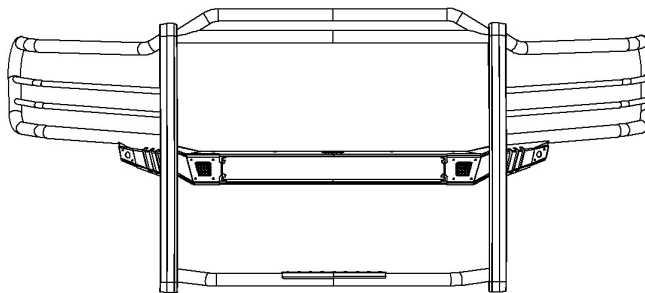
**APPLICATION:**  
2019-2020 Dodge Ram 2500/3500  
**PART NUMBER:**  
40-34025

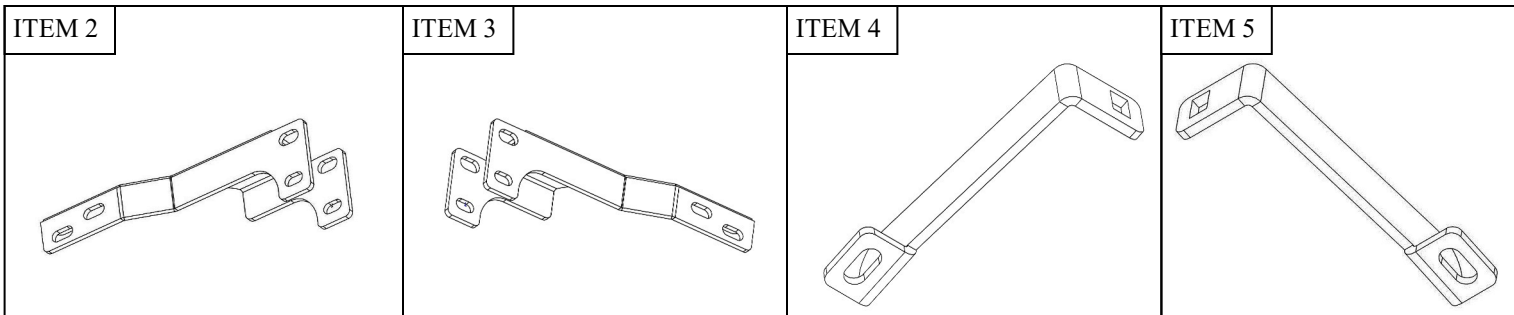
CONTENT			
ITEM	QUANTITY	DESCRIPTION	TOOLS NEEDED
1	1	SPORTSMAN X GRILLE GUARD	18MM SOCKET
2	1	DRIVER MOUNTING BRACKET	18MM WRENCH
3	1	PASSENGER MOUNTING BRACKET	ALLEN
4	1	UPPER DRIVER STRAP	TORQUE WRENCH
5	1	UPPER PASSENGER STRAP	RATCHET
6	4	M12 HEX HEAD BOLT	CUTTING TOOL
7	8	M12 FLAT WASHER	
8	4	M12 LOCK WASHER	
9	4	M12 HEX NUT	
10	6	M12 SOCKET BUTTON HEAD BOLT	
11	6	M12 SERRATED BELLILLE WASHER	
12	6	M12 SERRATED FLANGE NUT	
13	2	M12 PLASTIC RETAINER	
14	2	M12 PLASTIC RETAINER SQUARE	
15	1	M6 BUTTON HEAD BOLT *	
16	1	M6 FLAT WASHER *	
17	1	M6 SPRING LOCK WASHER *	
18	1	M6 SERRATED FLANGE NUT *	

\* These parts belong to the license plate relocation kit (sold separately) Part #32-0055

**ANTI-SEIZE LUBRICANT MUST BE USED ON ALL STAINLESS STEEL FASTENERS TO PREVENT THREAD DAMAGE AND GALLING**

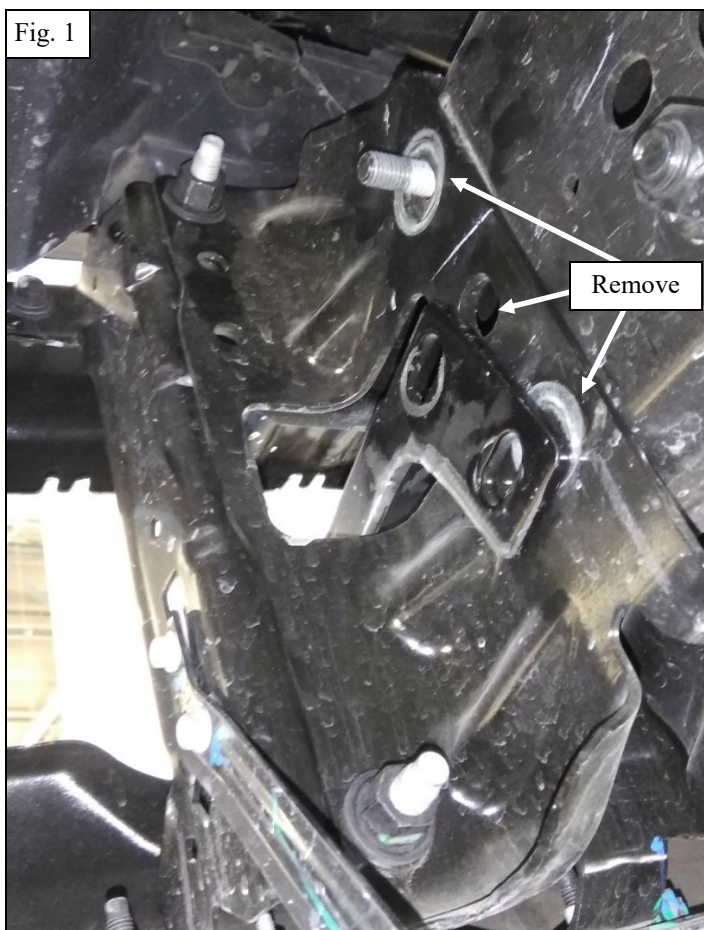
ITEM 1





**PROCEDURE**

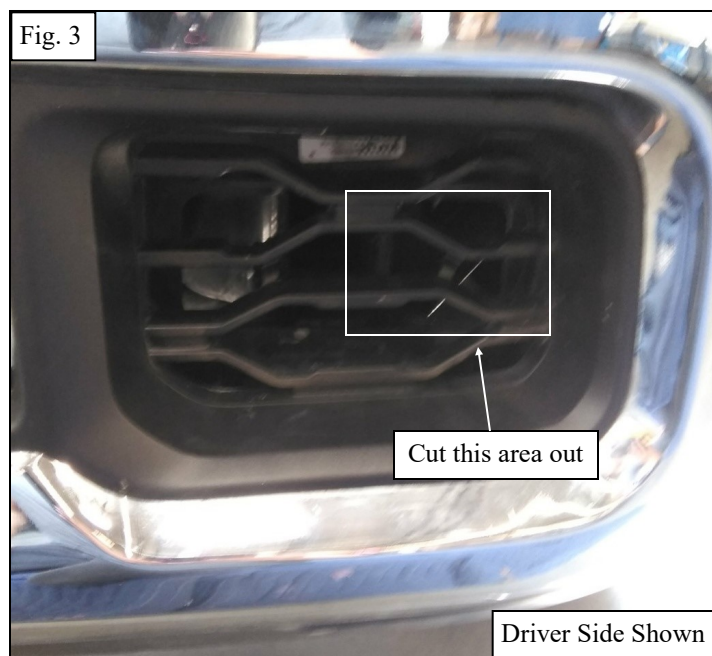
1. Remove contents from box, verify if all parts listed are present and free from damage. Carefully read and understand all instructions before attempting installation. **Failure to identify damage before installation could lead to a rejection of any claim.**
2. Start below the front of the vehicle. Unbolt the two factory bolts (three if tow hooks are equipped) from the bumper bracket on each side. **See Figure 1.**



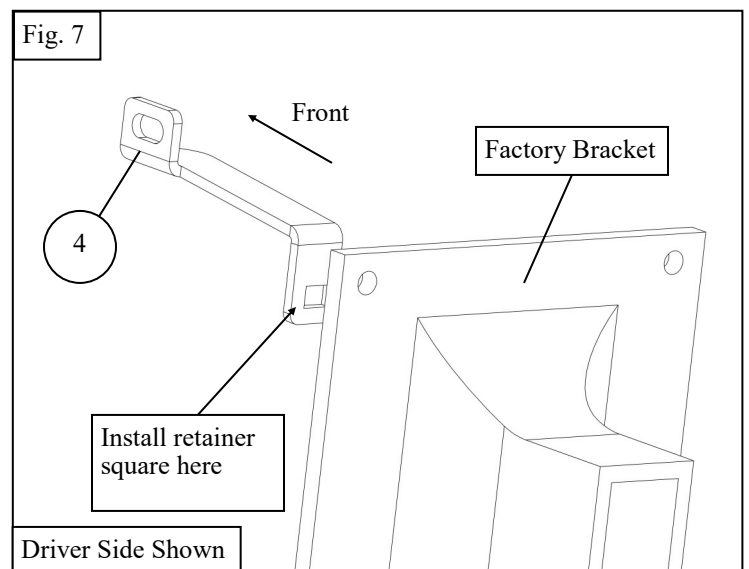
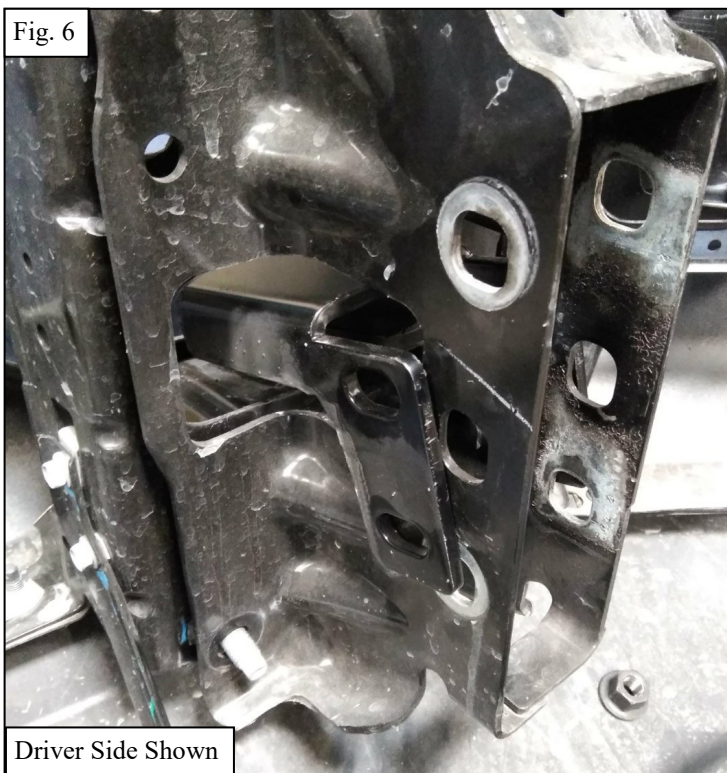
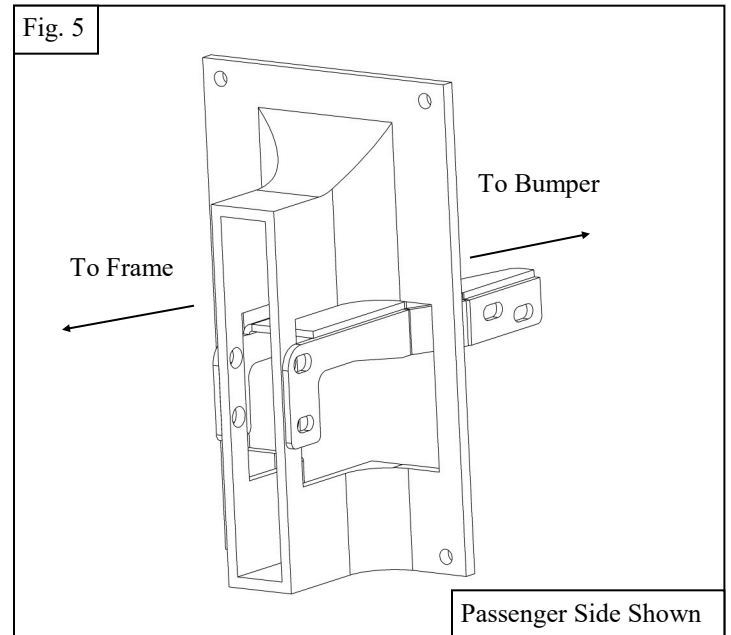
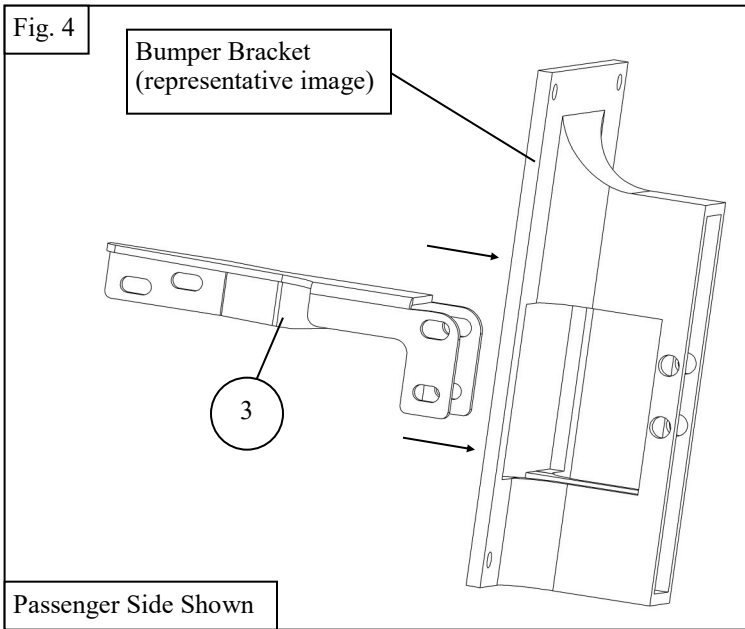
3. Unplug any lights or wiring harnesses and remove the bumper.
4. Remove the four nuts off of each bumper bracket. Remove the bracket from the bumper and repeat on opposite side. See **Figure 2**.



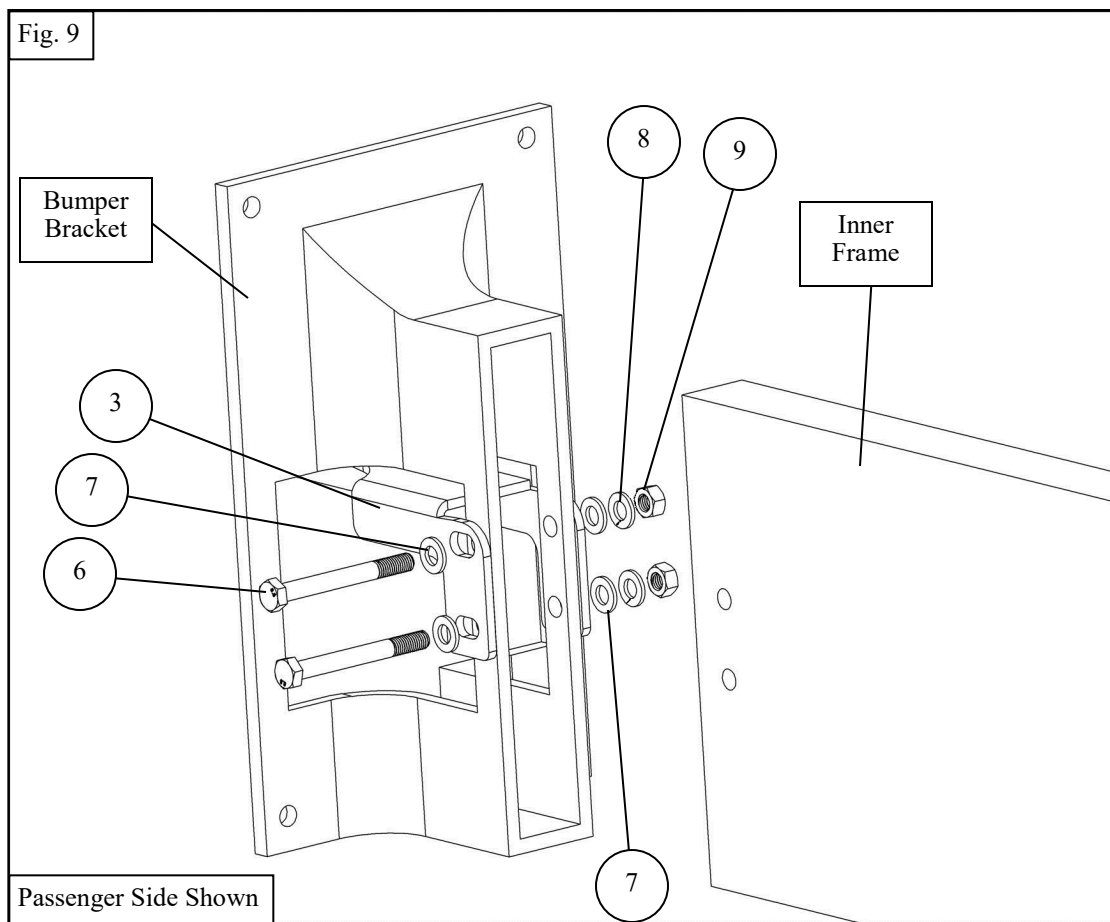
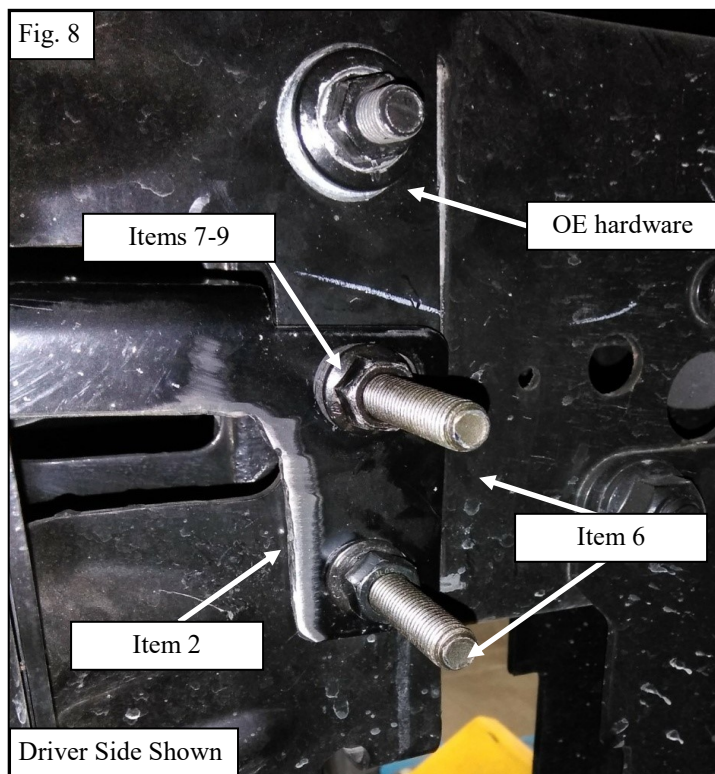
5. In order to install the mounting brackets, the tow hook pockets will need to be cut out. Cut around the area shown in **Figure 3**. Repeat on passenger side. **Note:** Depending on the fitment of the grille guard, more cutting may be required. Cut accordingly.



6. After removing the bumper bracket, slide the Mounting Bracket (Items 2,3) through the pocket of the bracket.
7. On the driver side, install a plastic M12 Square Retainer (Item 13) into the square hole of a Support Strap (Item 4) and install the strap on to the upper left hole of the bumper bracket.
8. Reinstall the bumper bracket on to the bumper with the factory nuts.
9. Repeat on the opposite side. See Figure 4-7.



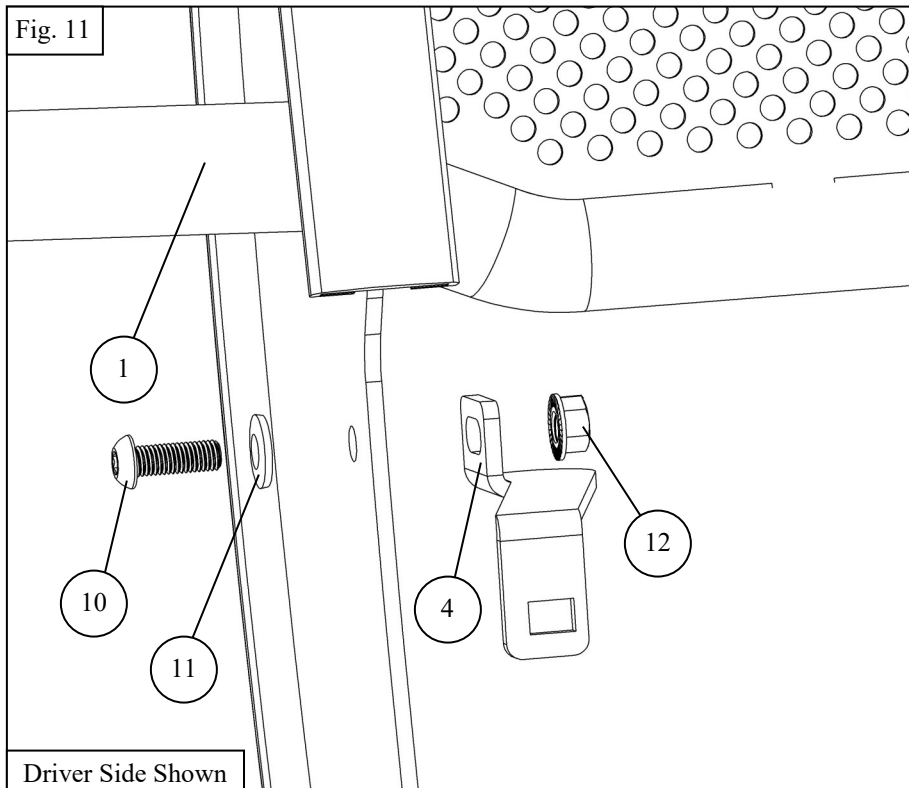
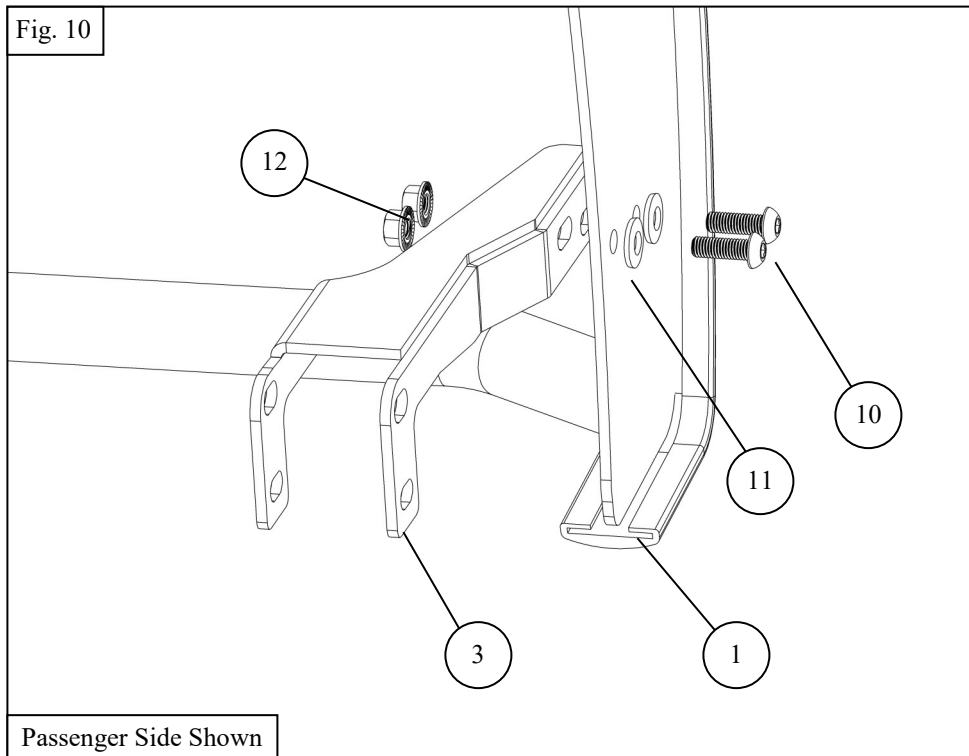
10. Using the supplied M12 hardware and the OE hardware, loosely install the bumper assembly (Mounting Brackets (Items 2-3) and OE bumper brackets) on to the frame. See Figure 8-9.



Westin Automotive Products, Inc.  
320 W. Covina Blvd  
San Dimas, Ca. 91773

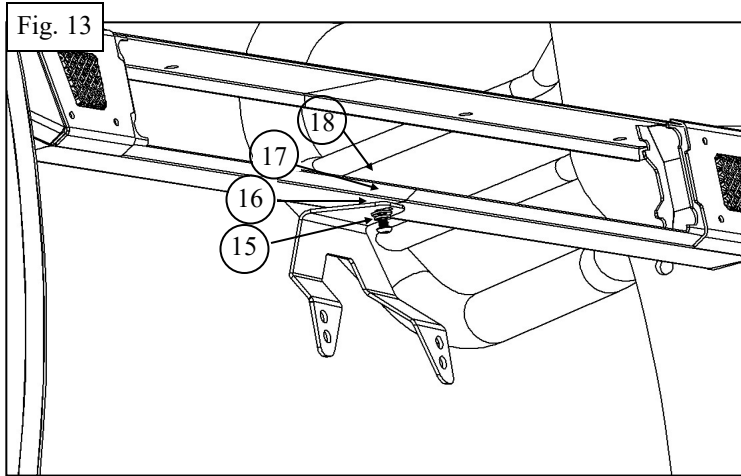
Thank you for choosing Westin products  
for additional installation assistance please call  
Customer Service (800) 793-7846  
[www.westinautomotive.com](http://www.westinautomotive.com)

11. With the help of another person or lift, raise the grille guard into place and install to the mounting brackets using the supplied M12 hardware. See **Figure 10-11**.



12. M6 hardware is supplied to re-locate your license plate. Refer to P#32-0055 for the relocation kit. See **Figure 12**.  
13. Align and adjust grille guard as needed and torque all M12 hardware to 60 ft-lbs.

14. Use M6 hardware to mount license plate with license plate relocater P#32-0055. See Figure 12 or reference install sheet 75-0376



INSTALLATION COMPLETE



#### CARE INSTRUCTIONS

- REGULAR WAXING IS RECOMMENDED. DO NOT USE ANY TYPE OF POLISH OR WAX THAT MAY CONTAIN ABRASIVES.
- STAINLESS STEEL PRODUCTS CAN BE CLEANED WITH MILD SOAP AND WATER. STAINLESS STEEL POLISH SHOULD BE USED TO POLISH SMALL SCRATCHES.
- GLOSS BLACK FINISHES SHOULD BE CLEANED WITH MILD SOAP AND WATER.

**WESTIN** Westin Automotive Products, Inc.  
320 W. Covina Blvd  
San Dimas, Ca. 91773

Thank you for choosing Westin products  
for additional installation assistance please call  
Customer Service (800) 793-7846



## WARNING



Failure to follow these instructions could lead to death, personal injury, and / or property damage.

Failure to follow these instructions could lead to death, personal injury, and / or property damage.

### FASTENERS:

All Westin supplied fasteners must be utilized and installed in accordance with the installation instructions and apply torque to the specifications as defined. **DOUBLE CHECK ALL FASTENERS BEFORE INITIAL USE, AND PERIODICALLY IN THE FUTURE TO ENSURE PROPER FUNCTION AND SAFETY.**

### DRILLING:

Most Westin products do not require drilling for installation. If drilling is defined as required, use caution when drilling a vehicle. **FAILURE TO REVIEW AN AREA TO BE DRILLED MAY RESULT IN PERSONAL INJURY AND/OR INJURY TO OTHERS AS WELL AS VEHICLE DAMAGE.**

### EYE PROTECTION:

**ALWAYS WEAR SAFETY GLASSES OR GOGGLES DURING THE INSTALLATION PROCESS TO AVOID PERSONAL INJURY.**

### MAXIMUM TOWING/CARRYING CAPACITY: (if applicable)

The Westin Receiver Hitches will have a visible tow rating label affixed directly on the product. User should never exceed the vehicle manufacturers maximum tow and weight rating regardless of the capacity of the hitch. **FAILURE TO FOLLOW THESE GUIDELINES WILL VOID THE WESTIN WARRANTY AND MAY RESULT IN PERSONAL INJURY AND/OR INJURY TO OTHERS AS WELL AS VEHICLE DAMAGE.**

### FOR CALIFORNIA RESIDENTS ONLY-PROP 65 WARNING:

Some products may contain chemicals such as DEHP, which can cause cancer, birth defects or other reproductive harm. For more info go to [www.p65warnings.ca.gov](http://www.p65warnings.ca.gov)



Westin Automotive Products, Inc.  
320 W. Covina Blvd  
San Dimas, Ca. 91773