



INSTALLATION INSTRUCTIONS

HDX MODULAR GRILLE GUARD

APPLICATION:

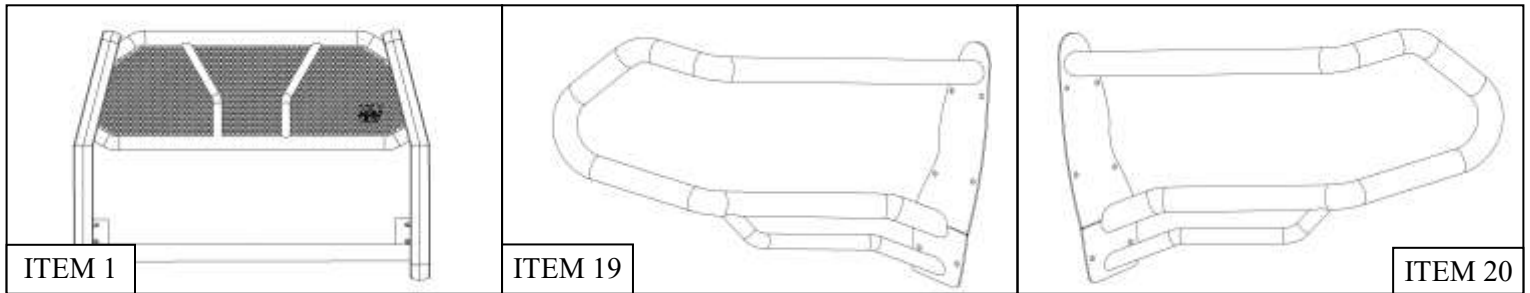
2009-2018 Dodge Ram 1500, Ram 1500 Classic 2019-2022
(Excl. Rebel, Warlock & TRX)
(Excl. Sport/Express) (Excl. w/Sensors)

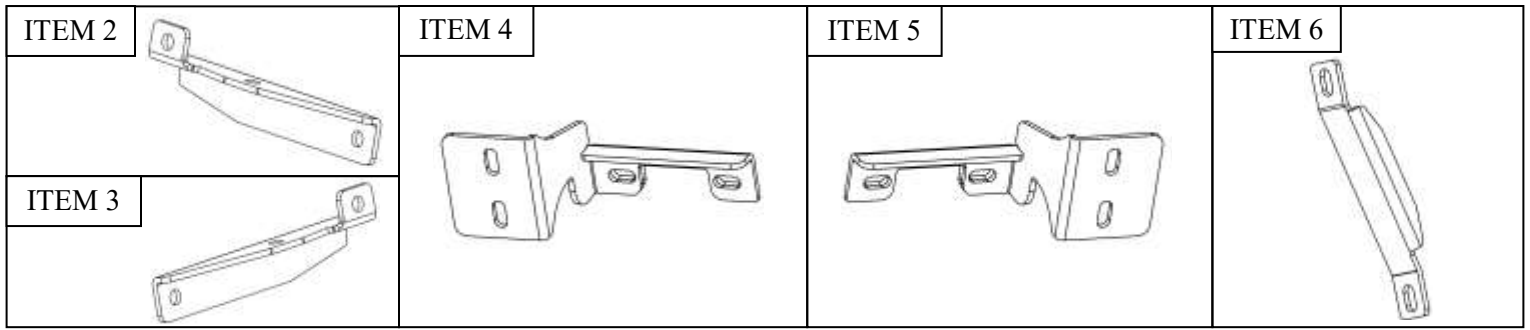
PART NUMBER:
57-23540, 57-23545

CONTENT			
ITEM	QUANTITY	DESCRIPTION	TOOLS NEEDED
1	1	HDX GRILLE GUARD BASE	10MM SOCKET
2,3	2	LOWER MOUNTING BRACKET, DRIVER (2) AND PASSENGER (3)	13MM SOCKET
4,5	2	FRAME MOUNTING BRACKET, DRIVER (4) AND PASSENGER (5)	16MM SOCKET
6	2	SUPPORT STRAP	16MM WRENCH
7	6	M12 BUTTON HEAD BOLTS	18MM SOCKET
8	14, 12*	M12 FLAT WASHERS	18MM WRENCH FLAT HEAD SCREWDRIVER
9	6	M12 LOCK WASHERS	
10	6	M12 HEX NUT	
11	2	LONG M12 HEX BOLT (YELLOW ZINC)	HAMMER
12	2	M12 LARGE FLAT WASHER (YELLOW ZINC)	UTILITY KNIFE
13	2	SHORT M12 HEX BOLT (YELLOW ZINC)	RATCHET
14	4	M12 HEX NUT (YELLOW ZINC)	TORQUE WRENCH
15	6, 4*	M12 FLAT WASHER (YELLOW ZINC)	
16	4	M12 LOCK WASHER (YELLOW ZINC)	
17	2	MEDIUM M12 HEX BOLT	
18	2*	M12 FLAT WASHER	
19	1	HDX PASSENGER WING	
20	1	HDX DRIVER WING	
21	12	M8 HEX SOCKET BUTTON HEAD BOLT	
22	12	M8 BELLVILLE WASHER	
23	12	M8 SERRATED FLANGE NUT	

Note: Quantities with asterisk* are included with the S/S Polished HDX Modular Grille Guard only.

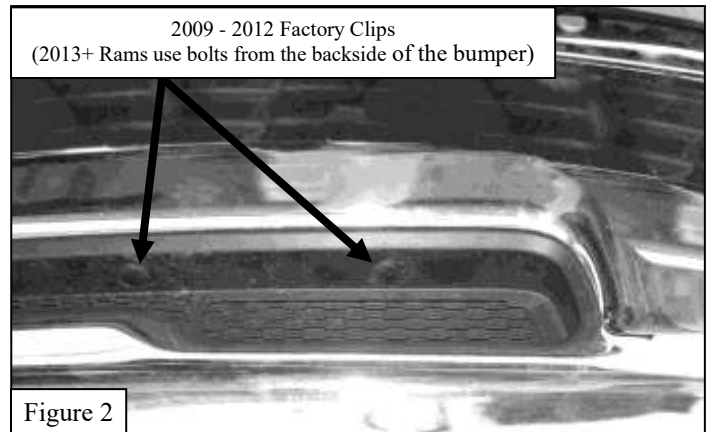
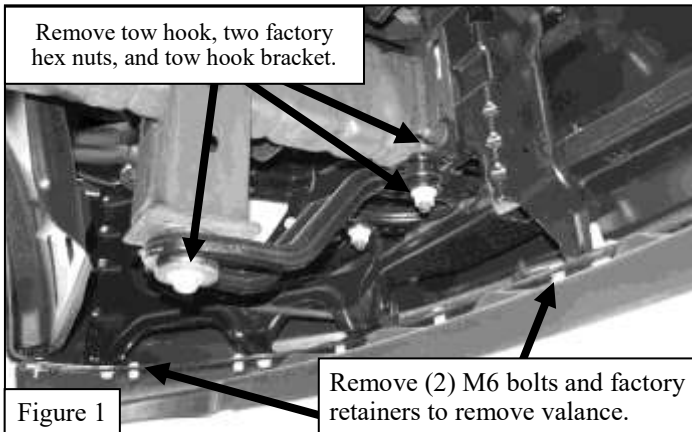
ANTI-SEIZE LUBRICANT MUST BE USED ON ALL STAINLESS STEEL FASTENERS TO PREVENT THREAD DAMAGE AND GALLING





PROCEDURE

1. Remove contents from box, verify if all parts listed are present and free from damage. Carefully read and understand all instructions before attempting installation.
Failure to identify damage before installation could lead to a rejection of any claim.
2. Remove the lower bumper front valance by removing the two M6 bolts at the ends and prying out the center pins of the plastic retaining clips with a flat head screwdriver. See **Figure 1** for reference.
3. **On vehicles with factory tow hooks:** Start the installation on the driver side, behind the front bumper. Remove the factory tow hook. See **Figure 1** for reference. Remove the two hex nuts on the bottom of the bumper bracket securing the 2-bolt tow hook mounting bracket to the frame.
4. **On vehicles without factory tow hooks:** For 2009 - 2012 vehicles, remove the plastic fill panel on the front bumper by removing the 2-piece plastic clips at the top of the panel. See **Figure 2** for reference. For 2013+ vehicles remove the two plastic bumper inserts that are attached with (4) M6 fasteners from the inside of the bumper. Next, from behind the driver side of the front bumper, remove the (2) hex nuts on the bottom of the bumper bracket securing the bumper to the frame. See **Figure 3** for reference. **Note:** Use a flat-head screwdriver to first pop the center pin out to release the clip.



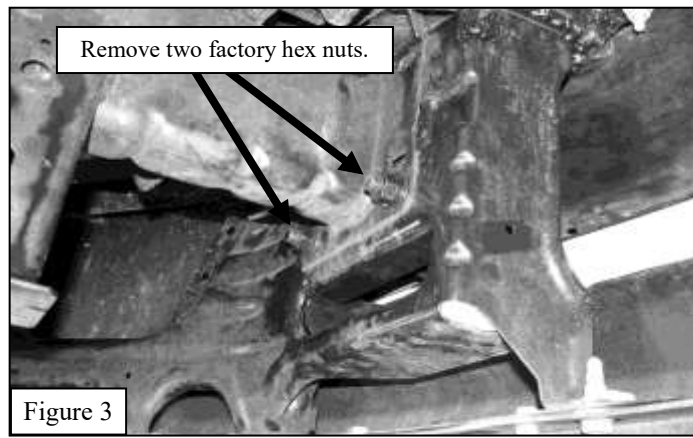
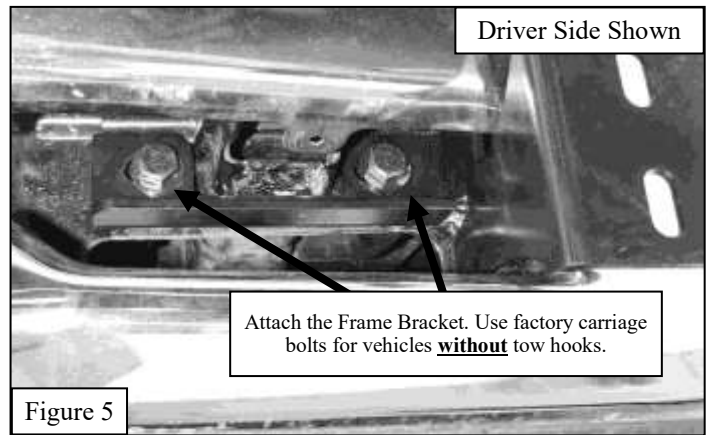
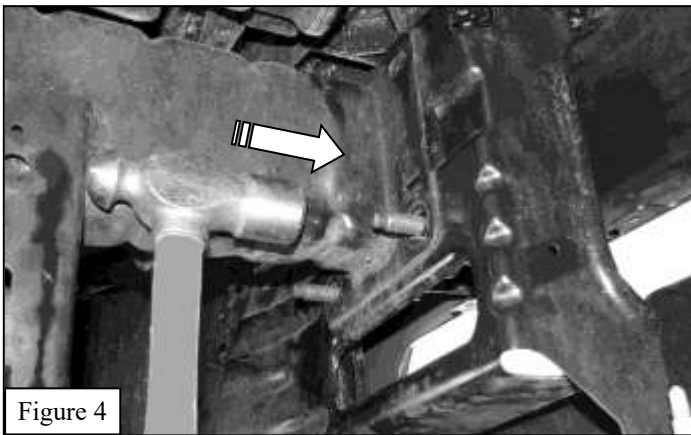
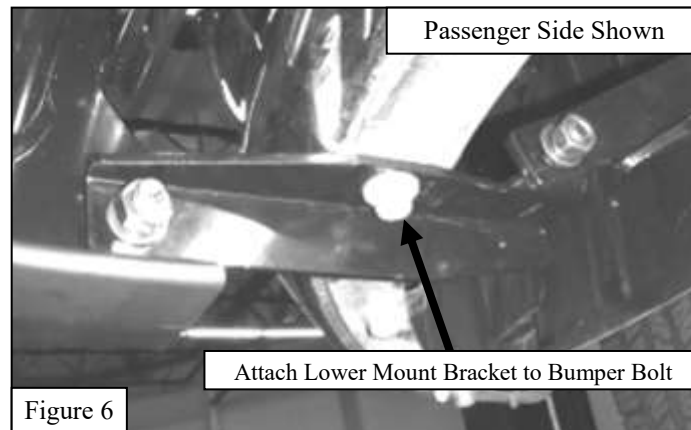


Figure 3

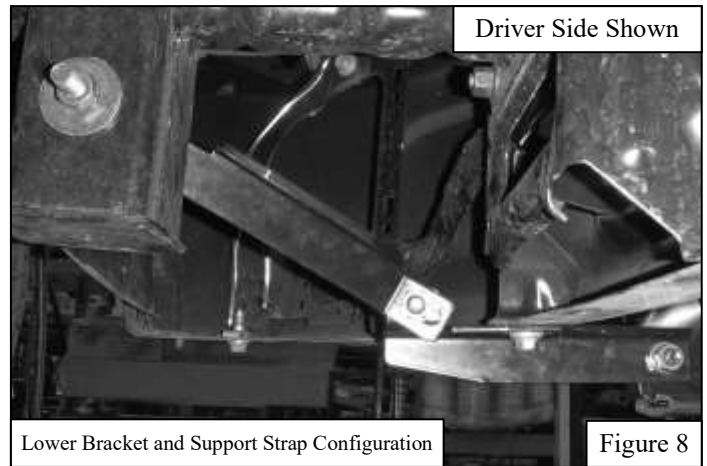
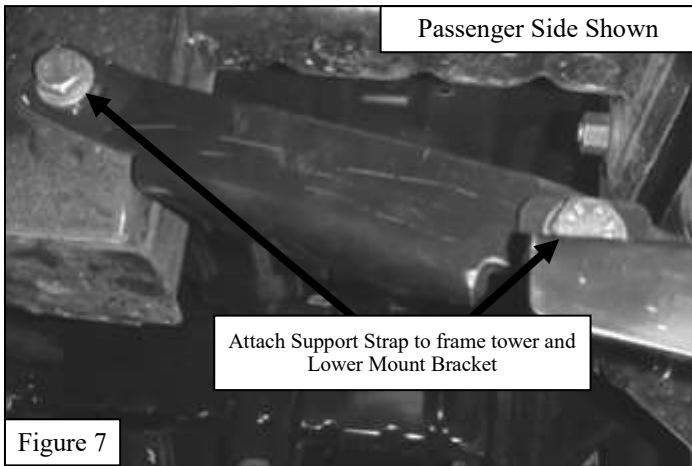
5. Drive the (2) carriage bolts in the bumper bracket out of the bracket by striking the end of the bolts with a hammer. See **Figure 4** for reference. Discard the tin retaining washers.
6. Insert the Driver Side Mounting Bracket into the opening in the front of the bumper and line up the (2) mounting holes with the holes in the bumper bracket. **For vehicles without tow hooks**, re-use the factory carriage bolts and nuts to secure these brackets. **For vehicles with tow hooks**, replace the factory carriage bolts and nuts with the supplied (2) medium M12 hex bolts (Item 17) and (2) M12 flat washers (Item 15 or 18). Place them through the Driver Side Frame Mounting Bracket and Bumper Bracket (the factory nuts will be re-used). See **Figure 5** for reference. Re-install the factory tow hook before attaching the nuts. Attach all hardware loosely.



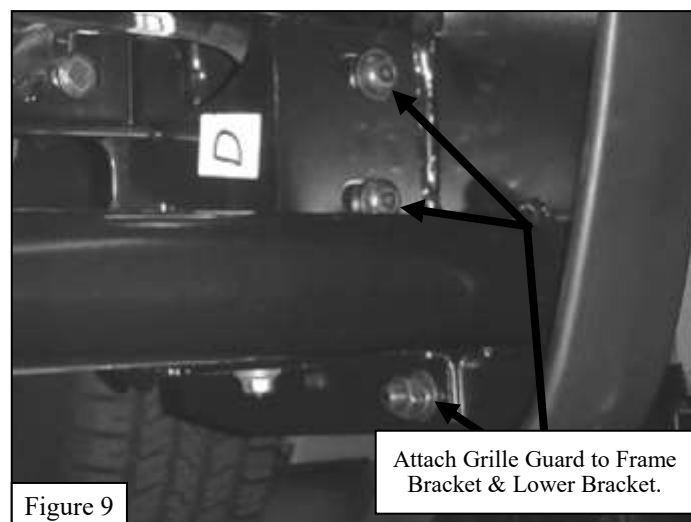
7. Remove the factory M10 flange bolt from the bottom of the bumper located beneath the area of the tow hook pocket. Use the factory bolt to loosely attach the Lower Mounting Bracket. See **Figure 6** for reference.

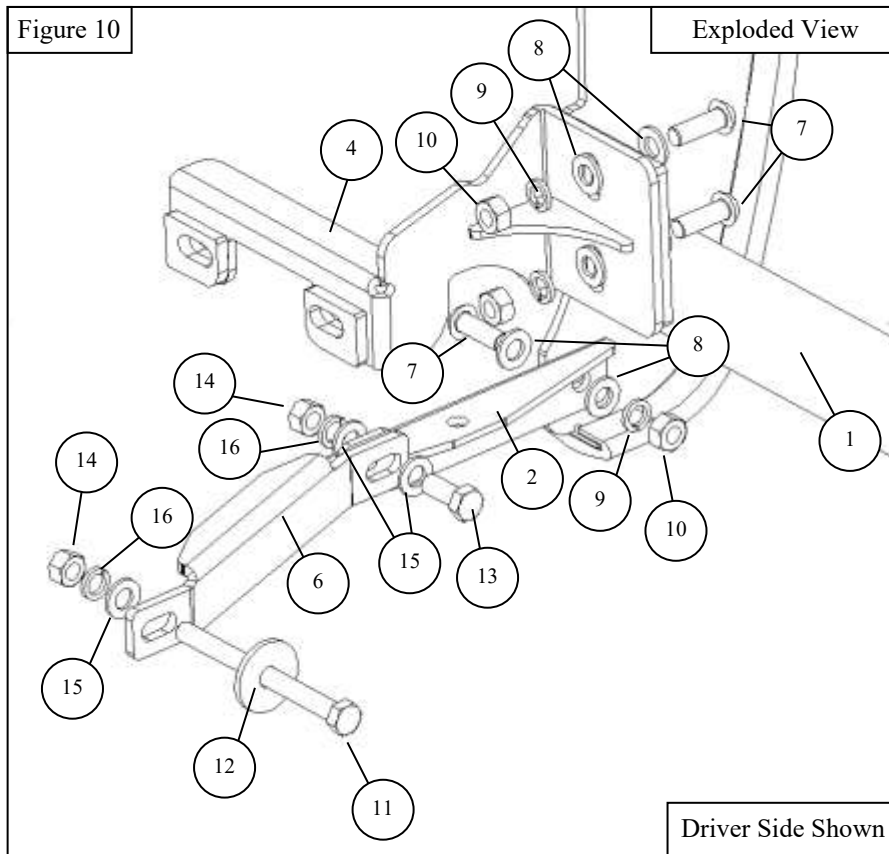


8. Use (1) long M12 hex bolt, (1) M12 large flat washer, (1) M12 regular flat washer, (1) M12 lock washer, and (1) M12 hex nut to loosely attach the Support Strap to the side of the frame tower. The M12 large flat washer should be placed on the side of the tower opposite the support strap. See **Figures 7, 8, & 10** for reference.
9. Repeat **steps 2 through 8** for passenger side Mounting Bracket installation.

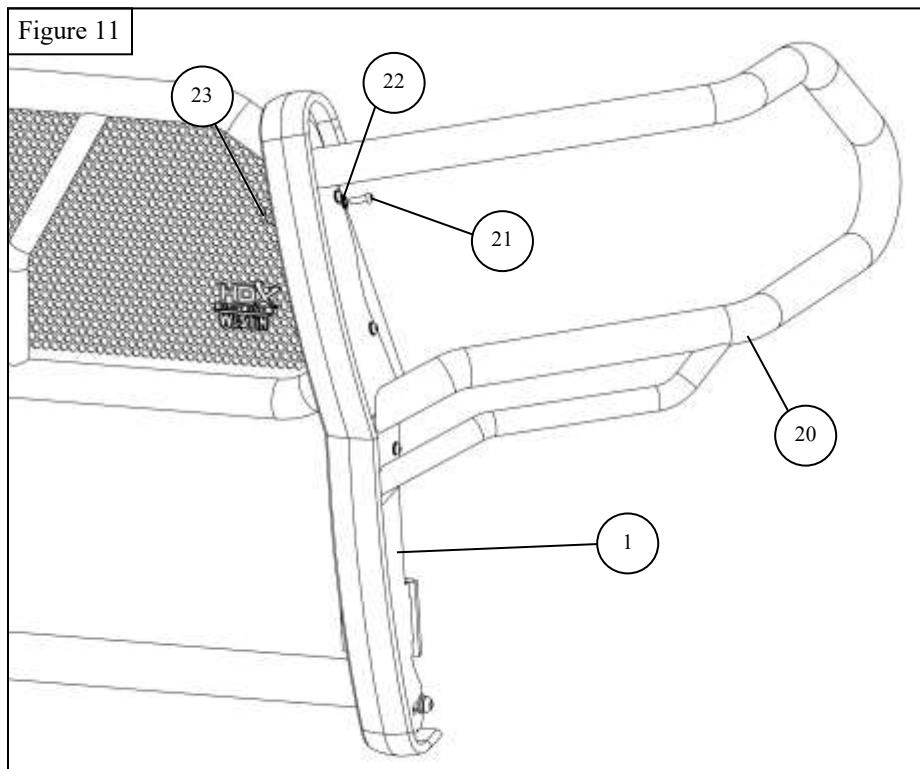


10. With assistance, position the Grille Guard Base up to the Frame Mounting Brackets and the Lower Mounting Brackets. Use the included (4) M12 button head bolts, (8) M12 flat washers, (4) M12 lock washers, and (4) M12 hex nuts to loosely attach the Grille Guard Base to the Frame Mounting Brackets. See **Figures 9 & 10** for reference.
11. Align the holes and loosely attach the Grille Guard Base to the Bottom Mounting Brackets using (2) M12 button head bolts, (4) M12 flat washers, (2) M12 lock washers and (2) M12 hex nuts. See **Figures 9 & 10** for reference.
12. With assistance, align and adjust the Grille Guard Base and tighten all hardware, including the tow hook hardware. ***On vehicles without factory tow hooks:*** *The plastic fill panel in the front bumper removed in Step 3 may be discarded or can be reinstalled but will require trimming to clear the Frame Mounting Brackets. Once modified, use the factory hardware to re-install (on 2013+ vehicles only (2) of the (4) bolts may be re-used).*
13. Trim the lower valance to fit around the lower mounting brackets and re-install using factory hardware.





14. Using supplied M8 hardware, bolt the Driver and Passenger Wings to the Grille Guard Base. See **Figure 11** for reference.
15. Adjust the Grille Guard Base, HDX Wings, and mounting brackets as necessary. Tighten and torque all hardware as specified: M8 hardware to 15-18 ft-lbs. and M12 hardware to 50-55 ft-lbs.



INSTALLATION COMPLETE



CARE INSTRUCTIONS

- REGULAR WAXING IS RECOMMENDED. DO NOT USE ANY TYPE OF POLISH OR WAX THAT MAY CONTAIN ABRASIVES.
- STAINLESS STEEL PRODUCTS CAN BE CLEANED WITH MILD SOAP AND WATER. STAINLESS STEEL POLISH SHOULD BE USED TO POLISH SMALL SCRATCHES.
- GLOSS BLACK FINISHES SHOULD BE CLEANED WITH MILD SOAP AND WATER.



Westin Automotive Products, Inc.
320 W. Covina Blvd
San Dimas, Ca. 91773

Thank you for choosing Westin products
for additional installation assistance please call
Customer Service (800) 793-7846
www.westinautomotive.com



WARNING



Failure to follow these instructions could lead to death, personal injury, and / or property damage.

Failure to follow these instructions could lead to death, personal injury, and / or property damage.

FASTENERS:

All Westin supplied fasteners must be utilized and installed in accordance with the installation instructions and apply torque to the specifications as defined. **DOUBLE CHECK ALL FASTENERS BEFORE INITIAL USE, AND PERIODICALLY IN THE FUTURE TO ENSURE PROPER FUNCTION AND SAFETY.**

DRILLING:

Most Westin products do not require drilling for installation. If drilling is defined as required, use caution when drilling a vehicle. **FAILURE TO REVIEW AN AREA TO BE DRILLED MAY RESULT IN PERSONAL INJURY AND/OR INJURY TO OTHERS AS WELL AS VEHICLE DAMAGE.**

EYE PROTECTION:

ALWAYS WEAR SAFETY GLASSES OR GOGGLES DURING THE INSTALLATION PROCESS TO AVOID PERSONAL INJURY.

MAXIMUM TOWING/CARRYING CAPACITY: (if applicable)

The Westin Receiver Hitches will have a visible tow rating label affixed directly on the product. User should never exceed the vehicle manufacturers maximum tow and weight rating regardless of the capacity of the hitch. **FAILURE TO FOLLOW THESE GUIDELINES WILL VOID THE WESTIN WARRANTY AND MAY RESULT IN PERSONAL INJURY AND/OR INJURY TO OTHERS AS WELL AS VEHICLE DAMAGE.**

FOR CALIFORNIA RESIDENTS ONLY-PROP 65 WARNING:

Some products may contain chemicals such as DEHP, which can cause cancer, birth defects or other reproductive harm. For more info go to www.p65warnings.ca.gov



Westin Automotive Products, Inc.
320 W. Covina Blvd
San Dimas, Ca. 91773