

INSTALLATION INSTRUCTIONS

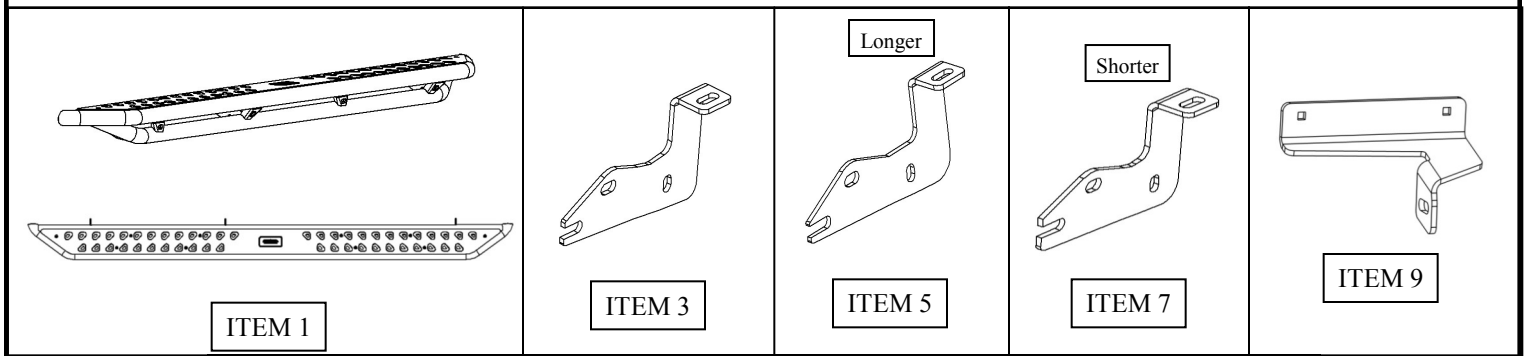
OUTLAW NERF STEP BARS



APPLICATION:
2020 Jeep Gladiator
PART NUMBER:
58-54165

CONTENT			
ITEM	QUANTITY	DESCRIPTION	TOOLS NEEDED
1	1	OUTLAW NERF STEP BAR DRIVER SIDE	RATCHET
2	1	OUTLAW NERF STEP BAR PASSENGER SIDE	TORQUE WRENCH
3	1	FRONT MOUNTING BRACKET DRIVER SIDE	10MM SOCKET
4	1	FRONT MOUNTING BRACKET PASSENGER SIDE	13MM SOCKET
5	1	CENTER MOUNTING BRACKET DRIVER SIDE	13MM WRENCH
6	1	CENTER MOUNTING BRACKET PASSENGER SIDE	SOCKET EXT.
7	1	REAR MOUNTING BRACKET DRIVER SIDE	ALLEN WRENCH
8	1	REAR MOUNTING BRACKET PASSENGER SIDE	
9	3	SUPPORT BRACKET DRIVER SIDE	
10	3	SUPPORT BRACKET PASSENGER SIDE	
11	6	M8 EXTRUDED U-NUT (YELLOW ZINC)	
12	24	M8 HEX HEAD CAP SCREW (YELLOW ZINC)	
13	24	M8 SPLIT LOCK WASHER (YELLOW ZINC)	
14	18	M8 HEX NUT (YELLOW ZINC)	
15	42	M8 FLAT WASHER (YELLOW ZINC)	
16	12	M6 HEX NUT (YELLOW ZINC)	
17	12	M6 FLAT WASHER (YELLOW ZINC)	
18	12	M6 SPLIT LOCK WASHER (YELLOW ZINC)	
19	12	M6 CARRIAGE BOLT (BLACK ZINC)	

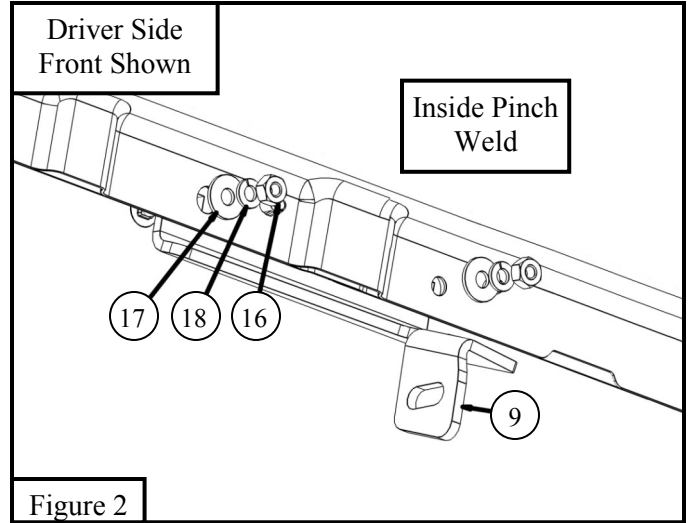
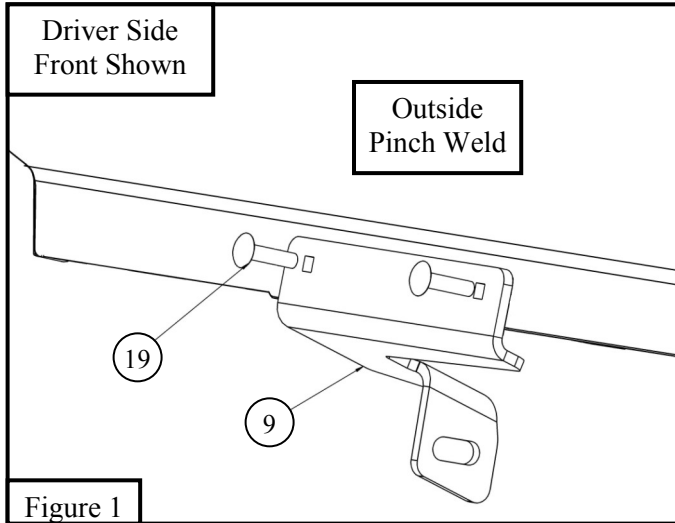
ANTI-SEIZE LUBRICANT MUST BE USED ON ALL STAINLESS STEEL FASTENERS TO PREVENT THREAD DAMAGE AND GALLING



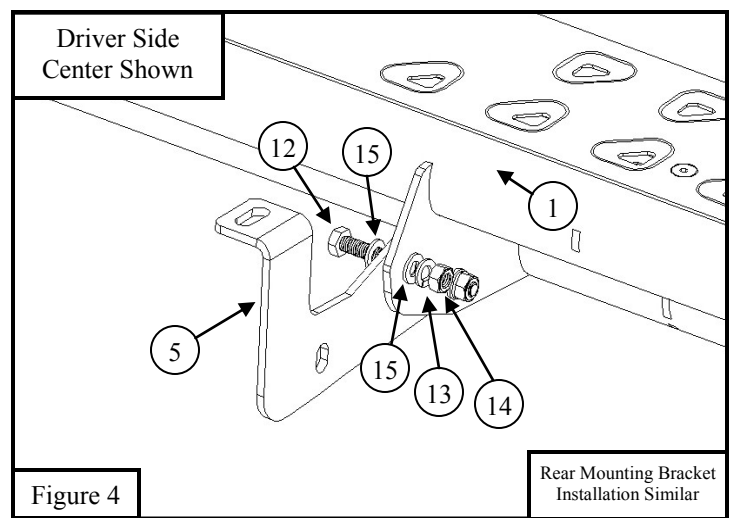
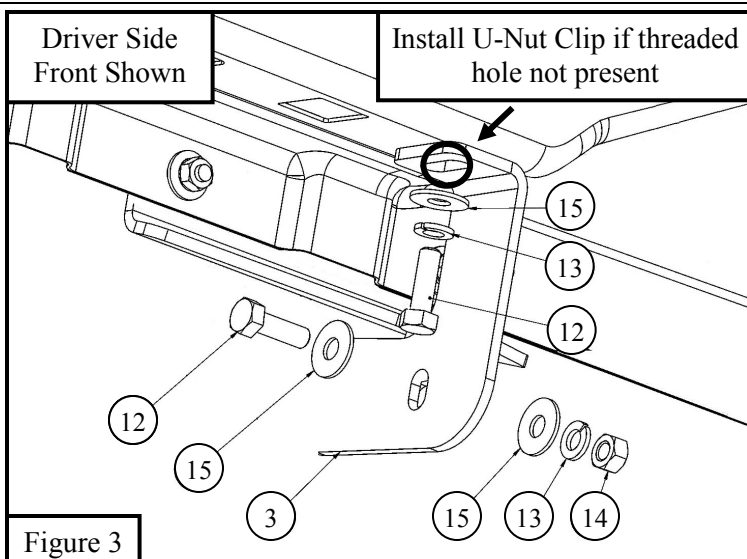
NOTE: DRIVER SIDE ITEMS SHOWN. PASSENGER SIDE ITEMS ARE OPPOSITES.

PROCEDURE

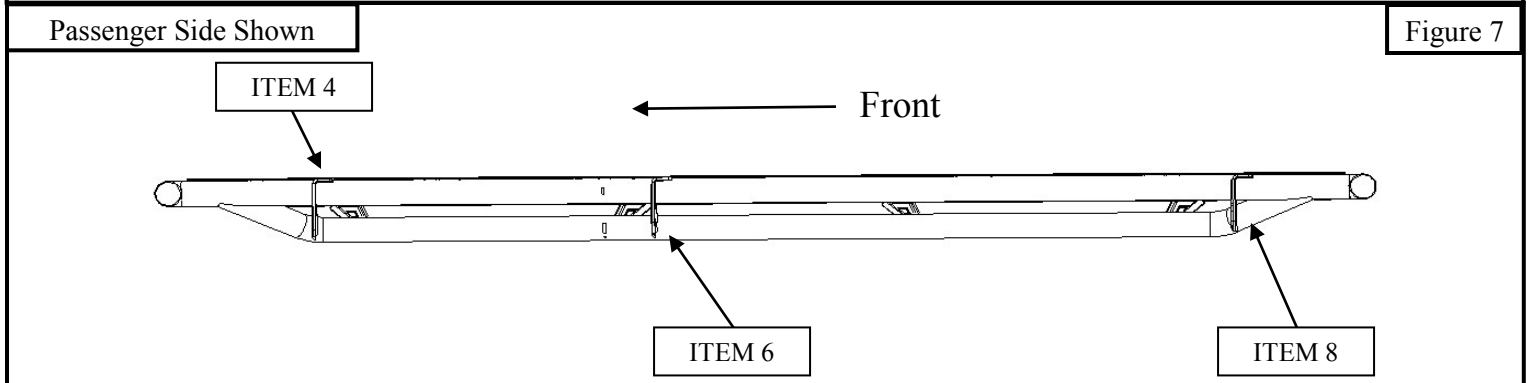
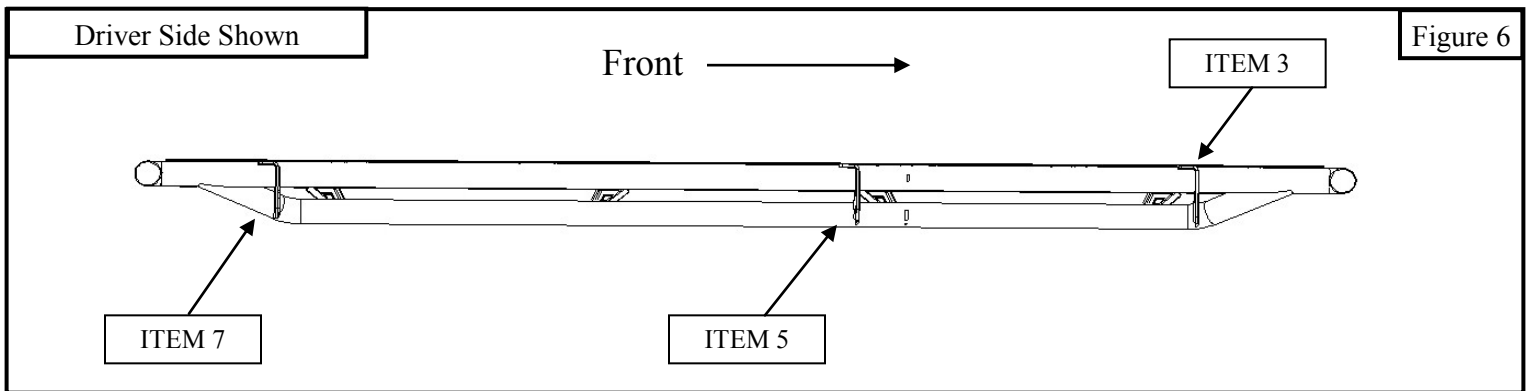
1. Remove contents from box, verify if all parts listed are present and free from damage.
Carefully read and understand all instructions before attempting installation.
Failure to identify damage before installation could lead to a rejection of any claim.
2. Starting at the front mount location, locate (1) Driver Support Bracket (Item 9). Loosely secure brackets, using the supplied M6 hardware as shown in **Figure 1 and Figure 2**.



3. Starting on the drivers side loosely install Rear and Center brackets. Installation is similar to Front Mounting bracket. Please refer to **Figure 3 and Figure 5 and 6** for bracket orientation and location.
4. Locate (1) Nerf Step Bar and loosely secure it onto the previously installed rear and center brackets using the provided M8 hardware. Partially insert M8 hardware into board and slide the slotted bracket onto the bolt. See **Figure 4**.
5. Torque the bolts as far as they can go while still having adjustment.
6. Then locate (1) Front Driver Side Mounting Bracket (Item 3). Loosely secure bracket to vehicle and previously installed support bracket using the supplied M8 hardware as shown in **Figure 3**. *[Note: If a threaded hole is not present use the supplied M8 U-Nut Clip (Item 11)].*



7. Loosely install Front Mounting Bracket with supplied M8 hardware. *Note: Front Mounting Bracket install is similar to Center and Rear Mounting Bracket.*
8. Repeat steps 2 - 7 for passenger side.
9. Align running boards and brackets to desired positioning then torque and tighten all: M6 Hardware to 7 ft-lbs, M8 hardware to 16 ft-lbs.



INSTALLATION COMPLETE



CARE INSTRUCTIONS

- REGULAR WAXING IS RECOMMENDED. DO NOT USE ANY TYPE OF POLISH OR WAX THAT MAY CONTAIN ABRASIVES.
- STAINLESS STEEL PRODUCTS CAN BE CLEANED WITH MILD SOAP AND WATER. STAINLESS STEEL POLISH SHOULD BE USED TO POLISH SMALL SCRATCHES.
- GLOSS BLACK FINISHES SHOULD BE CLEANED WITH MILD SOAP AND WATER.

WESTIN Westin Automotive Products, Inc.
320 W. Covina Blvd
San Dimas, Ca. 91773

Thank you for choosing Westin products
for additional installation assistance please call
Customer Service (800) 793-7846
www.westinautomotive.com



WARNING



Failure to follow these instructions could lead to death, personal injury, and / or property damage.

Failure to follow these instructions could lead to death, personal injury, and / or property damage.

FASTENERS:

All Westin supplied fasteners must be utilized and installed in accordance with the installation instructions and apply torque to the specifications as defined. **DOUBLE CHECK ALL FASTENERS BEFORE INITIAL USE, AND PERIODICALLY IN THE FUTURE TO ENSURE PROPER FUNCTION AND SAFETY.**

DRILLING:

Most Westin products do not require drilling for installation. If drilling is defined as required, use caution when drilling a vehicle. **FAILURE TO REVIEW AN AREA TO BE DRILLED MAY RESULT IN PERSONAL INJURY AND/OR INJURY TO OTHERS AS WELL AS VEHICLE DAMAGE.**

EYE PROTECTION:

ALWAYS WEAR SAFETY GLASSES OR GOGGLES DURING THE INSTALLATION PROCESS TO AVOID PERSONAL INJURY.

MAXIMUM TOWING/CARRYING CAPACITY: (if applicable)

The Westin Receiver Hitches will have a visible tow rating label affixed directly on the product. User should never exceed the vehicle manufacturers maximum tow and weight rating regardless of the capacity of the hitch. **FAILURE TO FOLLOW THESE GUIDELINES WILL VOID THE WESTIN WARRANTY AND MAY RESULT IN PERSONAL INJURY AND/OR INJURY TO OTHERS AS WELL AS VEHICLE DAMAGE.**

FOR CALIFORNIA RESIDENTS ONLY-PROP 65 WARNING:

Some products may contain chemicals such as DEHP, which can cause cancer, birth defects or other reproductive harm. For more info go to www.p65warnings.ca.gov



Westin Automotive Products, Inc.
320 W. Covina Blvd
San Dimas, Ca. 91773

Thank you for choosing Westin products
for additional installation assistance please call
Customer Service (800) 793-7846

www.westinautomotive.com