

# INSTALLATION INSTRUCTIONS

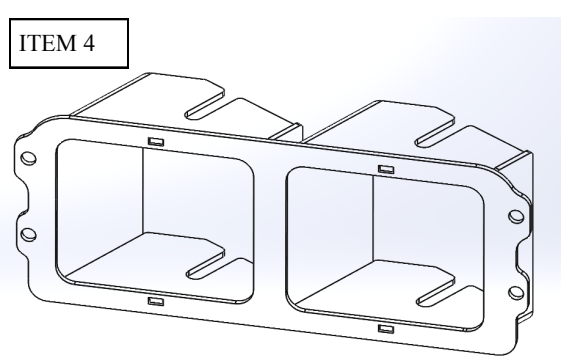
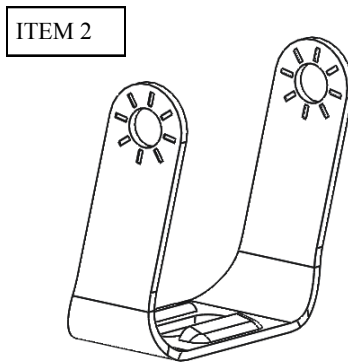
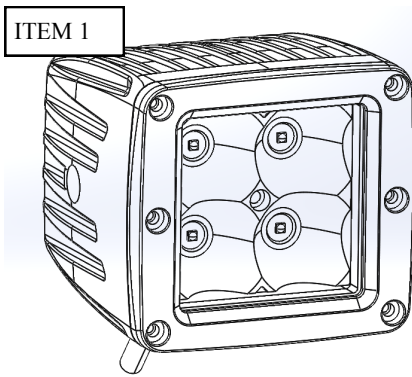
## OUTLAW Square Light Kit



**APPLICATION:**  
Universal for Front Outlaw Bumpers  
**PART NUMBER:**  
58-9915

CONTENT			
ITEM	QUANTITY	DESCRIPTION	TOOLS NEEDED
1	4	LED LIGHT	13MM SOCKET
2	4	LED LIGHT BRACKET	RATCHET
3	2	WIRING HARNESS	4MM ALLEN
4,5	1	BUMPER LIGH MOUNT PASSENGER (4) , DRIVER (5)	13MM WRENCH
6	4	M8 HEX HEAD BOLT	
7	4	M8 HEX NUT	
8	4	M8 FLAT WASHER	
9	4	M8 LOCK WASHER	
10	8	M6 LOCK NUT	
11	8	M6 HEX SOCKET BOLT	

**ANTI-SEIZE LUBRICANT MUST BE USED ON ALL STAINLESS STEEL FASTENERS TO PREVENT THREAD DAMAGE AND GALLING**



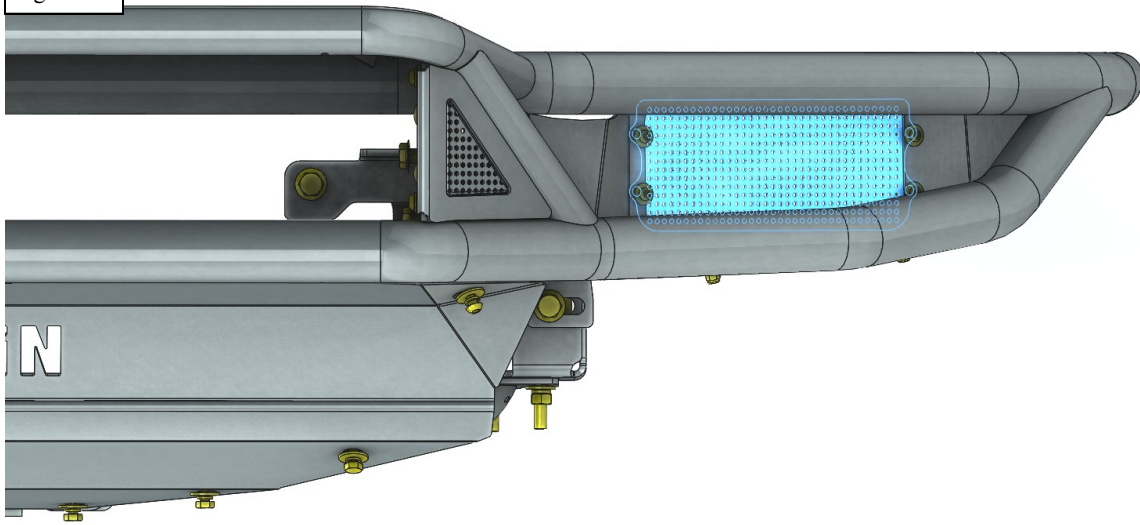
### PROCEDURE

1. Remove contents from box, verify if all parts listed are present and free from damage.  
Carefully read and understand all instructions before attempting installation.  
**Failure to identify damage before installation could lead to a rejection of any claim.**

## PROCEDURE

2. Remove the perforated plates from your Outlaw bumper using a 4MM allen key and a 10MM wrench. Save hardware to install light kits.

Figure 1



3. Using items 10 and 11, install item two to light according to Figure 2.
4. using items 6-9 install light with bracket to items 4 and 5. See Figure 3.

Figure 2

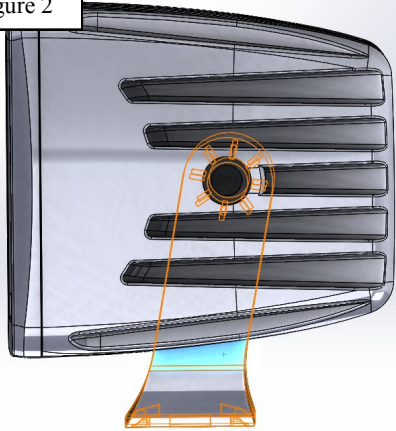
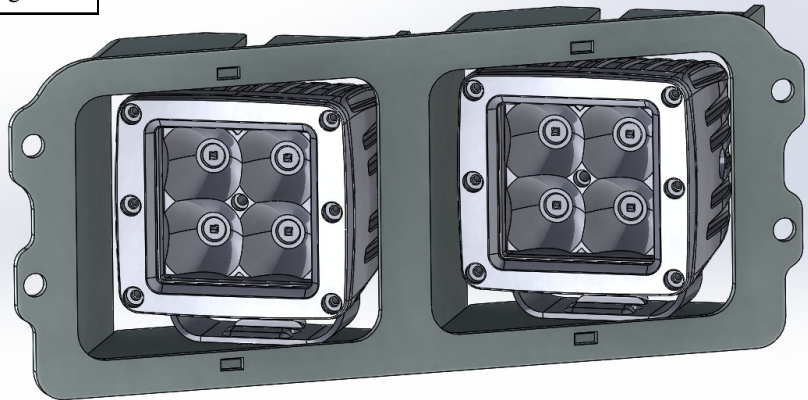


Figure 3



5. Using hardware removed from bumper in step 2, install light kit assembly to bumper. See Figure 4 and 5 .

Figure 4

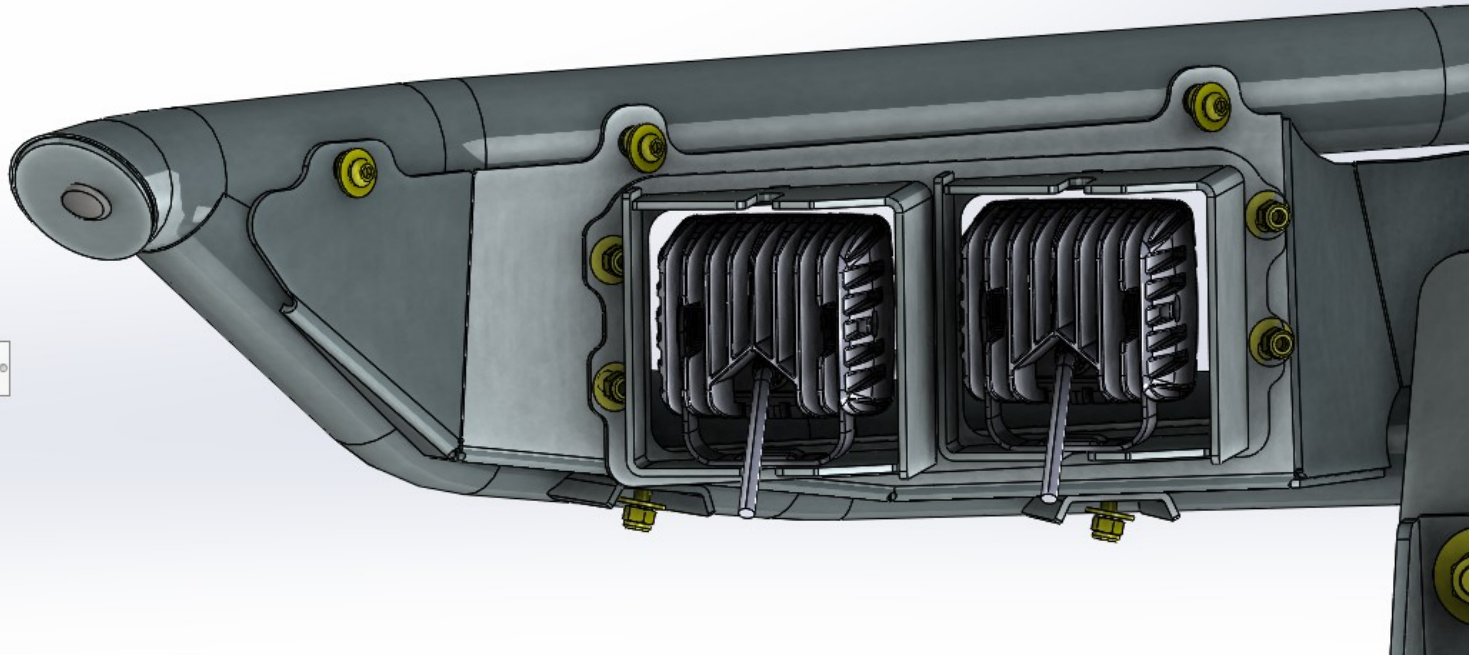
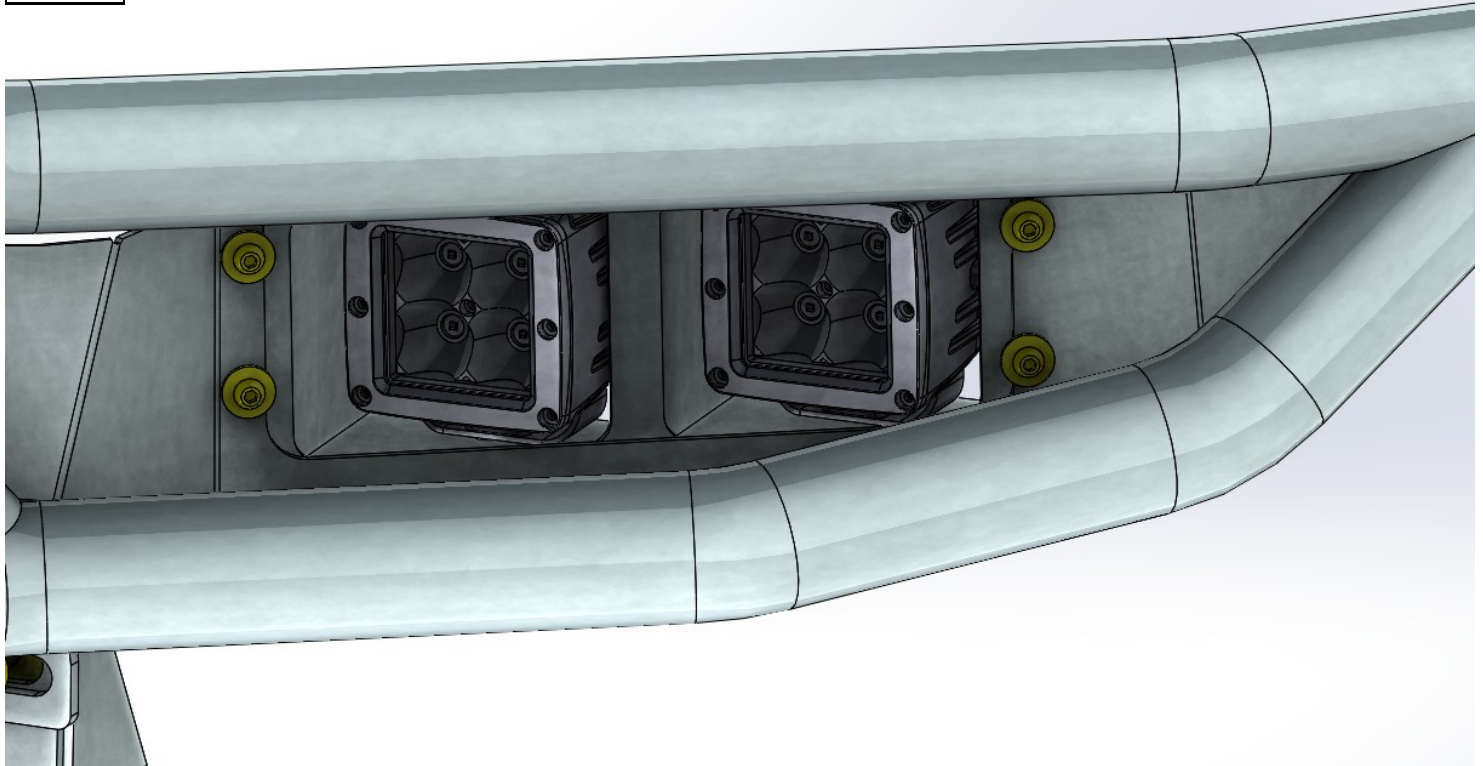


Figure 5





## INSTALLATION COMPLETE



### CARE INSTRUCTIONS

- REGULAR WAXING IS RECOMMENDED. DO NOT USE ANY TYPE OF POLISH OR WAX THAT MAY CONTAIN ABRASIVES.
- STAINLESS STEEL PRODUCTS CAN BE CLEANED WITH MILD SOAP AND WATER. STAINLESS STEEL POLISH SHOULD BE USED TO POLISH SMALL SCRATCHES.
- GLOSS BLACK FINISHES SHOULD BE CLEANED WITH MILD SOAP AND WATER.

**WESTIN**

Westin Automotive Products, Inc.  
320 W. Covina Blvd  
San Dimas, Ca. 91773

Thank you for choosing Westin products  
for additional installation assistance please call  
Customer Service (800) 793-7846

[www.westinautomotive.com](http://www.westinautomotive.com)



## WARNING



Failure to follow these instructions could lead to death, personal injury, and / or property damage.

### FASTENERS:

All Westin supplied fasteners must be utilized and installed in accordance with the installation instructions and apply torque to the specifications as defined. **DOUBLE CHECK ALL FASTENERS BEFORE INITIAL USE, AND PERIODICALLY IN THE FUTURE TO ENSURE PROPER FUNCTION AND SAFETY.**

### DRILLING:

Most Westin products do not require drilling for installation. If drilling is defined as required, use caution when drilling a vehicle. **FAILURE TO REVIEW AN AREA TO BE DRILLED MAY RESULT IN PERSONAL INJURY AND/OR INJURY TO OTHERS AS WELL AS VEHICLE DAMAGE.**

### EYE PROTECTION:

**ALWAYS WEAR SAFETY GLASSES OR GOGGLES DURING THE INSTALLATION PROCESS TO AVOID PERSONAL INJURY.**

### MAXIMUM TOWING/CARRYING CAPACITY:

The Westin Receiver Hitches will have a visible tow rating label affixed directly on the product. User should never exceed the vehicle manufacturers maximum tow and weight rating regardless of the capacity of the hitch. **FAILURE TO FOLLOW THESE GUIDELINES WILL VOID THE WESTIN WARRANTY AND MAY RESULT IN PERSONAL INJURY AND/OR INJURY TO OTHERS AS WELL AS VEHICLE DAMAGE.**



Westin Automotive Products, Inc.  
320 W. Covina Blvd  
San Dimas, Ca. 91773